



**11975 Portland Ave. S. Suite 104  
Burnsville, MN 55337**

**Phone: 952-894-6637**

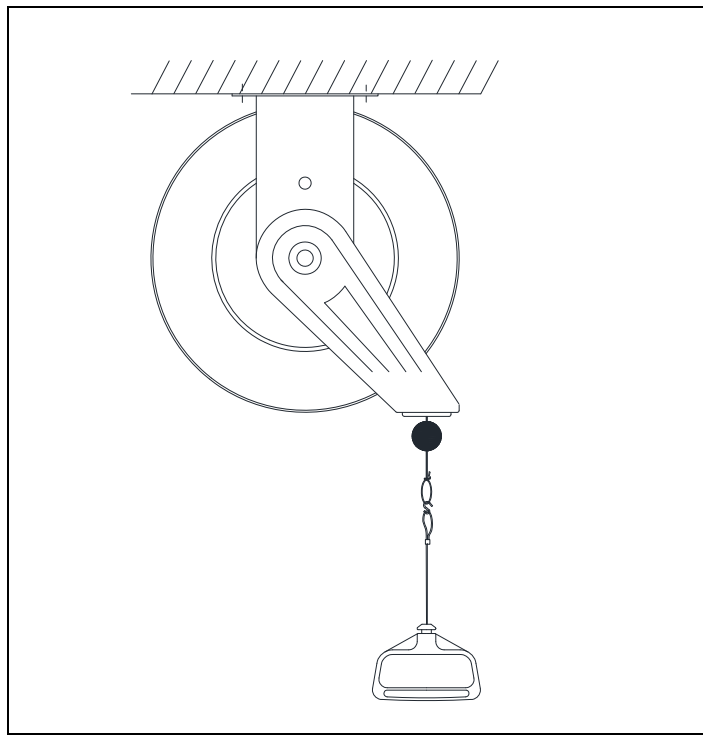
**Fax: 952-894-0750**

**Email: [info@ventaire.com](mailto:info@ventaire.com)**

**Website: [www.ventaire.com](http://www.ventaire.com)**

**PRODUCT GUIDE FOR**

**ACR Cable Reel**



**FIG 1**

**WARNING:** Use extreme caution; reel is under tension. Avoid releasing latch mechanism without having control of the cable drum.

## **INTRODUCTION**

1. Prior to the installation inspect all components received for shipping damage. If damage occurred contact your Ventaire representative for assistance.
2. Read **ALL** the instructions before proceeding with any installation, operation, or maintenance.

**Tension Adjustment:** The ACR series cable reel is fully adjustable. The tension on the reel can be easily increased or decreased to suit your specific needs.

**CAUTION:** Excessive spring tension can cause damage to the reel and/ or hose assembly. The reel tension should be adjusted so that the flexible hose assembly slowly retracts completely to the reel when not in use.

1. Identify the reel and attached cable assembly and wind onto the open reel.
2. Rigidly mount the reel to the ceiling, wall or other structure using the (4) 1/4" diameter mounting holes.
3. Pull out 3-6 feet of cable and secure ratchet latch.
4. To add tension, bring the cable back through the guide arm and add a wrap around the reel drum. Adding one loop at a time, continue until the desired tension is achieved.

5. To decrease tension, bring enough cable back through the guide arm to remove a loop from the reel drum. Removing one loop at a time, continue until the optimum tension is achieved.
  
6. All mating parts are to be lubricated with Perma Bond or Loctite anti-seize. The following parts should be inspected routinely. The cable itself should be visually inspected for any wear or fraying which may result in personal injury and/ or equipment damage. All bolts should also be inspected to ensure that the reel and all components are securely tightened. Do not attempt to perform any service other than the above. All other services should be performed by Ventaire. Failure to do so can result in personal injury and/or equipment damage and may void warranty.
  
7. For problems not covered in these situations contact your representative.



11975 Portland Ave. S. Suite 104  
Burnsville, MN 55337  
Phone: (952) 894-6637  
Fax: (952) 894-0750  
Email: [info@ventaire.com](mailto:info@ventaire.com)

## 12-MONTH WARRANTY

---

**VENTAIRE** warrants their products, to the original purchaser, to be free from defects in material and workmanship under normal use and service (except for those cases which buyer supplied materials are used) for a period of 12 months from the original date of shipment. During the warranty period, **VENTAIRE**, will at its option, repair, replace, or issue credit for any components that are deemed defective by **VENTAIRE**.

Buyer's failure to pay the full amount due within (60) days of invoice shall release seller from any and all liability or obligation to any warranty.

Before returning equipment for repair or replacement, a **Return Authorization Number** must be obtained from **VENTAIRE** (952-894-6637). The **Return Authorization Number** must be written on the outside of all shipping cartons. Items returned without a **Return Authorization Number** will be refused. Items returned should be in original condition in which it was received and must be accompanied with a written explanation of the reason(s) for their return.

This warranty does **not** cover damage caused by accident, misuse, misapplication, or unauthorized service modification.