

PROJECT:

LOCATION:

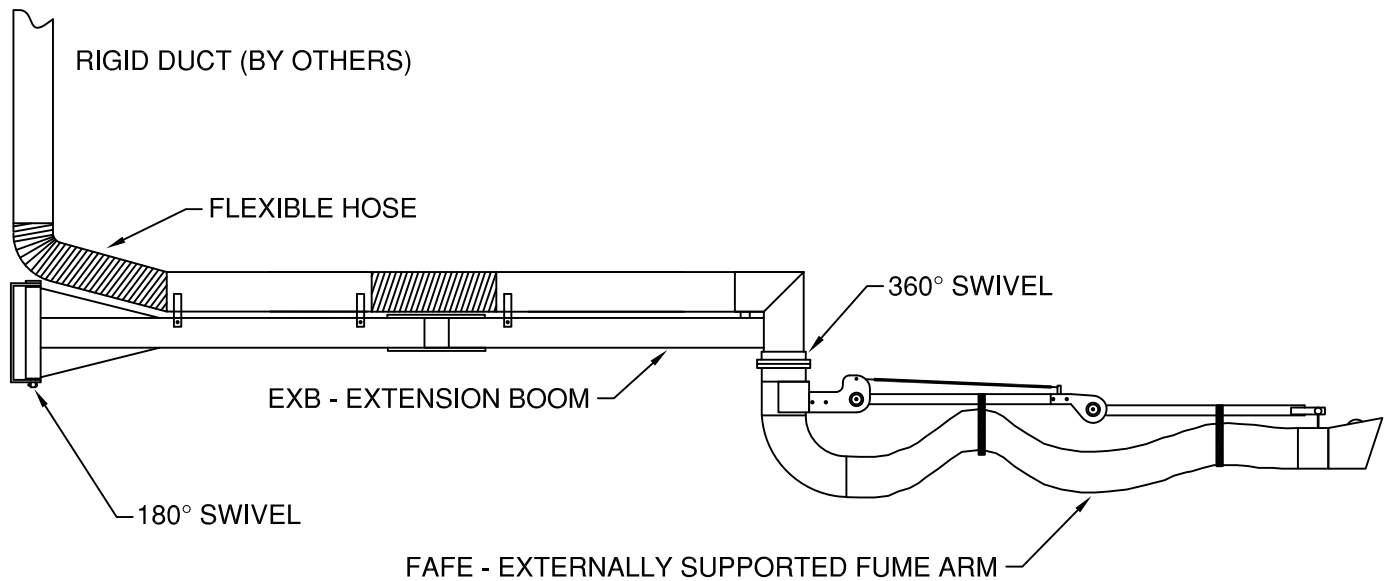
ENGINEER:

SALES ENGINEER:

ARCHITECT:

CONTRACTOR:

DATE:



NOTES

SEE INDIVIDUAL COMPONENT SUBMITTALS FOR ADDITIONAL INFORMATION.