



11975 Portland Ave. S. Suite 104  
Burnsville, MN 55337

Phone: 952-894-6637

Fax: 952-894-0750

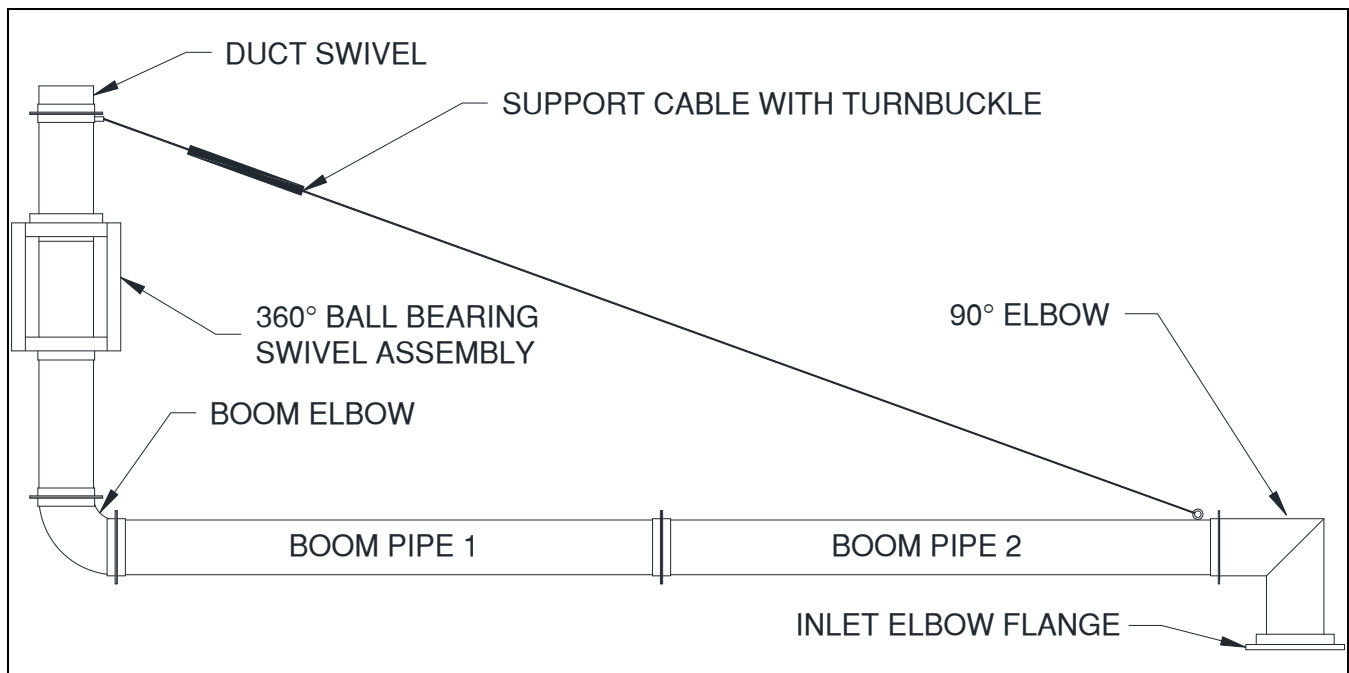
Email: [info@ventaire.com](mailto:info@ventaire.com)

Website: [www.ventaire.com](http://www.ventaire.com)

**PRODUCT GUIDE FOR**

**Model RB-Rotoboom**

**With Fume Extraction Arm**



**FIG 1 – Rotoboom Assembly**

## **INTRODUCTION**

1. Prior to installation inspect all of the components received for shipping damage. If damage occurred contact your Ventaire representative for assistance.
2. Read **ALL** the instructions before proceeding with any installation, operation, or maintenance.

*NOTE: This manual does not include information on the fume arm being mounted to the boom. A separate product guide is included for the arm itself.*

## **ROTOBOOM INSTALLATION**

1. Layout the boom sections similar to FIG1 making sure the duct swivel is orientated up.
2. Using a forklift or other lifting device, mount the swivel housing to the wall or other rigid structure using fasteners (not provided) through the mounting holes.

*NOTE: To insure proper operation of the boom, it is important to mount the swivel level, and use all the provided mounting holes.*

3. Attach the flanged boom elbow to the bottom of the swivel with the included hardware.

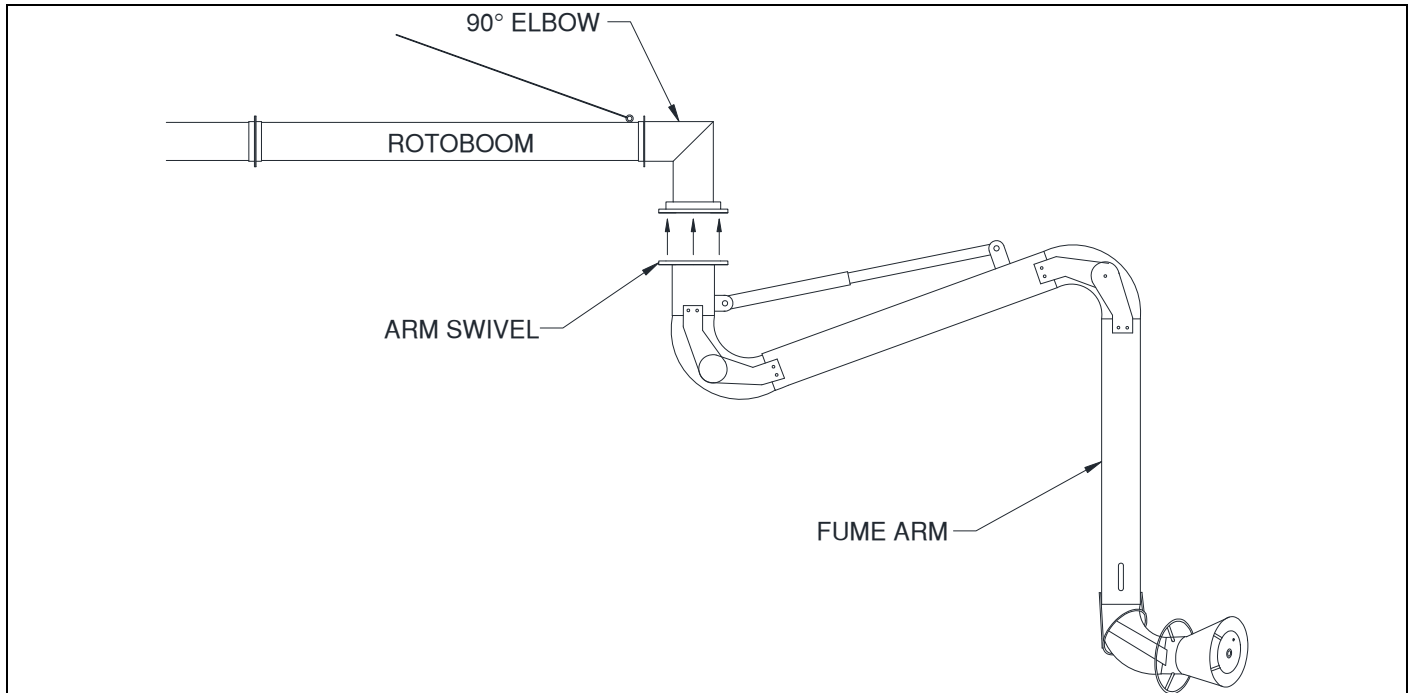
*NOTE: Be sure to mount the elbow so that the leg out is in-line with the eyebolt on the very top of the swivel housing.*

4. Using a forklift or other lifting device, mount the boom pipe(s) to the boom elbow. (The eyebolt should be located at the opposite end of the swivel housing.) Attach the end of the guy wire to the eyebolt located at the end of the boom. Attach the opposite end of the boom to the elbow with the provided hardware. Adjust the tension in the guy wire such that the far end of the boom is horizontal with the floor (or slightly above).

*NOTE: It is very important that the guy wire is adjusted properly to insure safe operation of boom.*

5. Attach rigid duct to the top of swivel housing using standard industry methods.
6. Attach the inlet elbow to the end of the boom.
7. Be sure to readjust the guy wire such that the boom is completely level after the arm has been installed.

In some cases, attaching a rope, cable or chain to the end of the boom may aid the user in the rotation of the boom.



**FIG 2 – Rotoboom With SIFA Fume Arm**

### **FUME ARM INSTALLATION**

1. Refer to the specific product guide for assembly of the fume arm.
2. After the fume arm is fully assembled, attach the arm swivel to the bottom of the flanged boom elbow as shown in FIG 2 using the provided hardware.
3. Adjust the fume arm according to the separate product guide.

### **OPERATION**

1. Position the rotoboom to allow the fume arm on the end of the boom to get as close to the fume source as possible without interfering with the work.
2. Position the inlet hood at an appropriate position.

*NOTE: Position hood as close to the source as possible without obstructing vision of the work area.*

3. Open any applicable air shut-off devices (i.e. blast gate, quadrant damper, etc.).
4. Turn on the exhaust fan.
5. After completing the welding process and fumes are no longer being produced, turn off the exhaust fan.
6. Close any applicable air shut-off devices (i.e. blast gate, quadrant damper, etc.).
7. Retract the fume arm, position the rotoboom and arm safely out of the work area.

### **ROTOBOOM MAINTENANCE**

1. Routinely check all the nuts, bolts, and connection hardware. Tighten or replace if necessary.
2. Lubricate the ball bearing swivel joints every 12 months or as necessary. Apply lubrication grease directly to the ball bearings.
3. For problems not covered in these situations please contact your Ventaire representative.

### **FUME ARM MAINTENANCE**

1. Refer to the separate product guide for specific fume arm.

### **FUME ARM MAINTENANCE**

1. Refer to the separate product guide for specific exhaust fan.



Phone: (952) 894-6637

Fax: (952) 894-0750

Email: [info@ventaire.com](mailto:info@ventaire.com)

## 12-MONTH WARRANTY

---

**VENTAIRE** warrants their products, to the original purchaser, to be free from defects in material and workmanship under normal use and service (except for those cases which buyer supplied materials are used) for a period of 12 months from the original date of shipment. During the warranty period, **VENTAIRE**, will at its option, repair, replace, or issue credit for any components that are deemed defective by **VENTAIRE**.

Buyer's failure to pay the full amount due within (60) days of invoice shall release seller from any and all liability or obligation to any warranty.

Before returning equipment for repair or replacement, a **Return Authorization Number** must be obtained from **VENTAIRE** (952-894-6637). The **Return Authorization Number** must be written on the outside of all shipping cartons. Items returned without a **Return Authorization Number** will be refused. Items returned should be in original condition in which it was received and must be accompanied with a written explanation of the reason(s) for their return.

This warranty does **not** cover damage caused by accident, misuse, misapplication, or unauthorized service modification.