

PROJECT:

LOCATION:

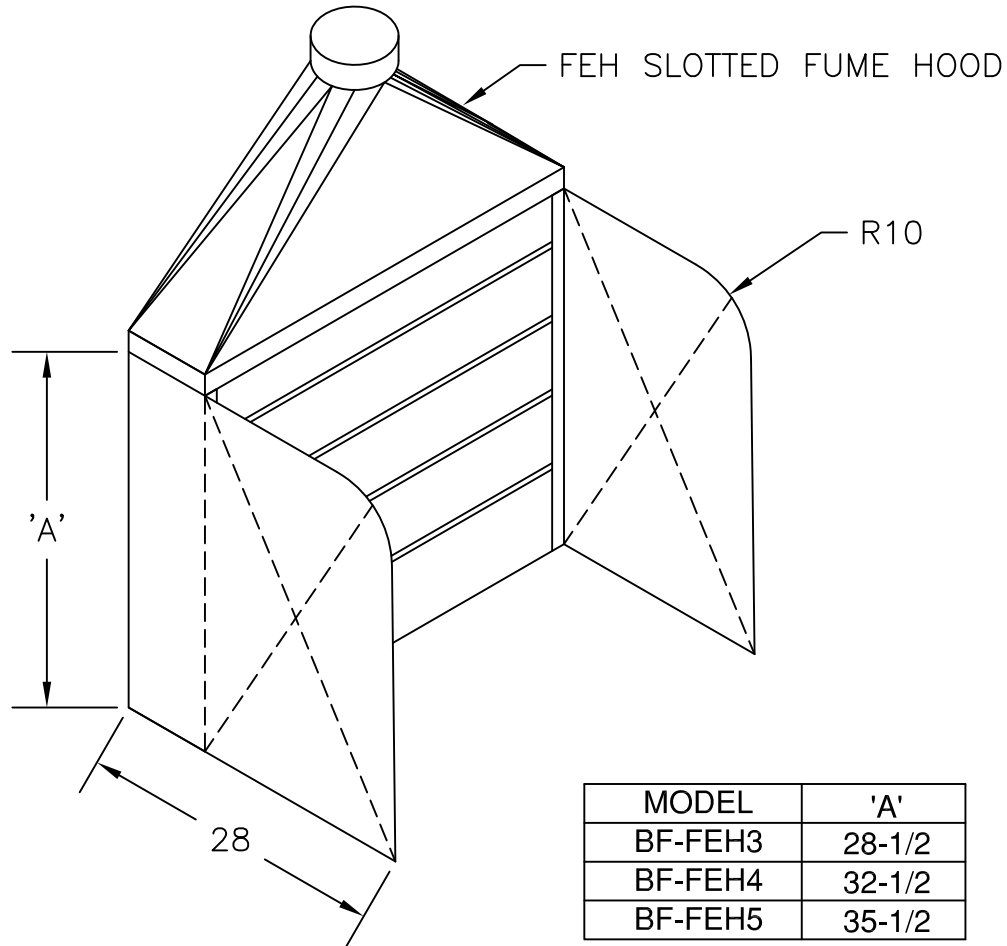
ENGINEER:

SALES ENGINEER:

ARCHITECT:

CONTRACTOR:

DATE:



SCHEDULE

ITEM	QTY	MODEL	REFERENCE

NOTES:

ALL DIMENSIONS ARE IN INCHES.
 Baffles constructed of formed 12 gauge galvanized steel.
 Baffles are cross broken for added rigidity
 FEH details shown on separate submittal