

PROJECT:

LOCATION:

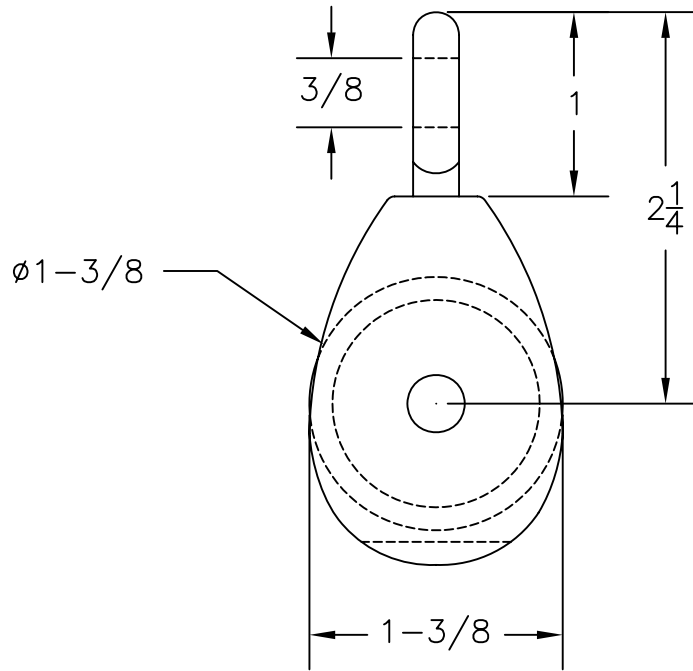
ENGINEER:

SALES ENGINEER:

ARCHITECT:

CONTRACTOR:

DATE:



SCHEDULE

ITEM	QTY	MODEL	REFERENCE

NOTES:

ALL DIMENSIONS ARE IN INCHES.
 CONSTRUCTION - ZINC COATED STEEL.
 FOR USE WITH 1/4" DIAMETER ROPE OR CABLE.