

PROJECT:

LOCATION:

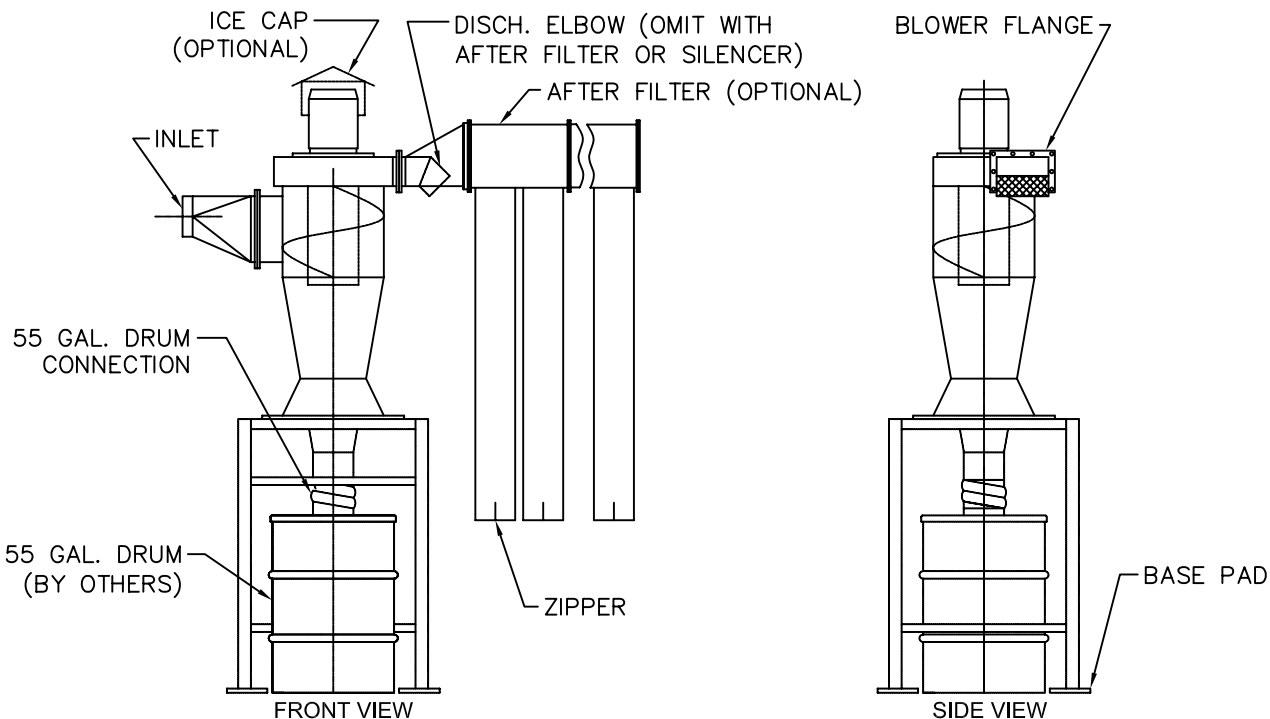
ENGINEER:

SALES ENGINEER:

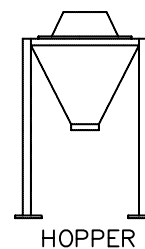
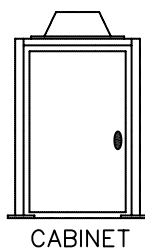
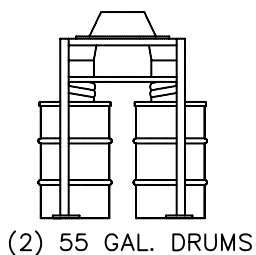
ARCHITECT:

CONTRACTOR:

DATE:



OPTIONAL DUST CATCHES:



SCHEDULE

ITEM	QTY	MODEL	H.P.	CFM	S.P.	ELECTRICAL	REFERENCE

NOTES

1. CONTACT FACTORY FOR PRICING AND SPECIFICATIONS.
2. MOTOR: 3450 RPM, 230/460V, 60HZ, TEFC.