

PROJECT:

LOCATION:

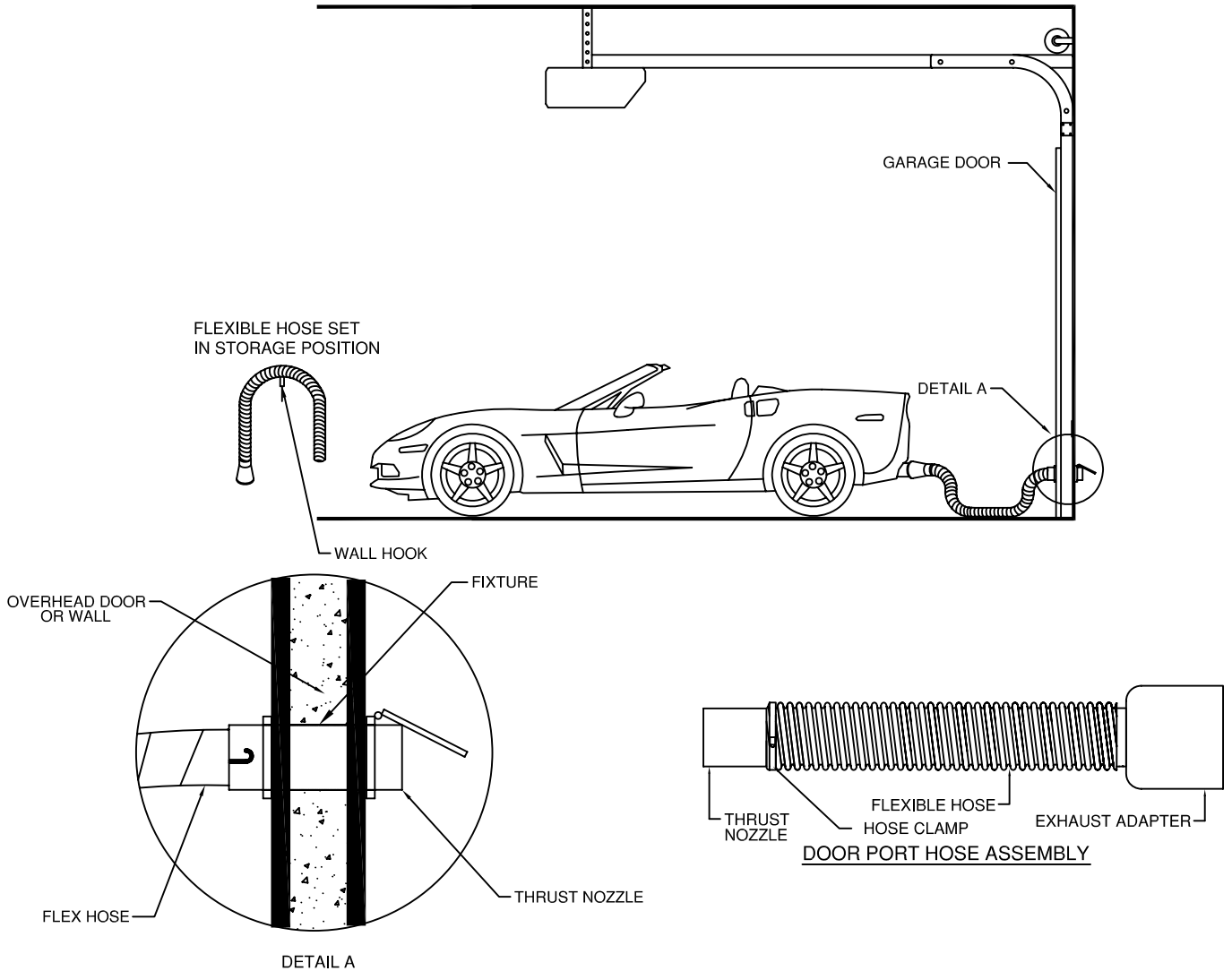
ENGINEER:

SALES ENGINEER:

ARCHITECT:

CONTRACTOR:

DATE:



SCHEDULE

ITEM	QTY	MODEL	REFERENCE

NOTES

ALL DIMENSIONS IN INCHES
 FLEXIBLE HOSE SET CONSISTS OF FLEXIBLE HOSE, TAILPIPE ADAPTER AND THRUST NOZZLE.
 THRUST NOZZLE IS USED TO OPEN COVER ON DOOR PORT.