



# SUBMITTAL

**NO CRUSH/RUBBER  
OVERSIZED DIESEL  
STACK ADAPTER**

PROJECT:

LOCATION:

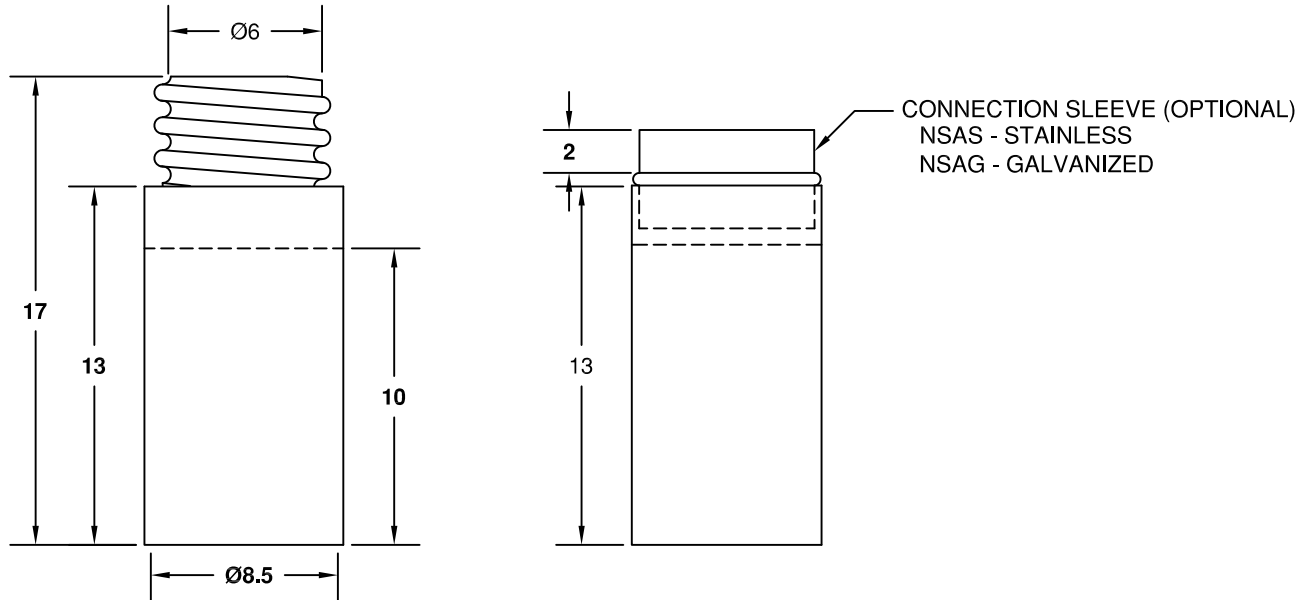
ENGINEER:

SALES ENGINEER:

ARCHITECT:

CONTRACTOR:

DATE:



## SCHEDULE

ITEM	QTY	MODEL	REFERENCE
		DSR9600	

**NOTES:**

ALL DIMENSIONS IN INCHES AND NOMINAL.

CONSTRUCTION: SPECIAL FORMULATED RUBBER COMPOUND DESIGNED TO WITHSTAND EXHAUST TEMPERATURES UP TO 600° F.

\*HOSE DIAMETERS ARE FOR MODEL N1 HOSE. OTHER HOSES REQUIRE THE THREADS BE REMOVED AND A CONNECTION SLEEVE INSTALLED.

OPTIONAL CONNECTION SLEEVES CONSTRUCTED OF 20 GA. GALV. OR STAINLESS STEEL.