

PROJECT:

LOCATION:

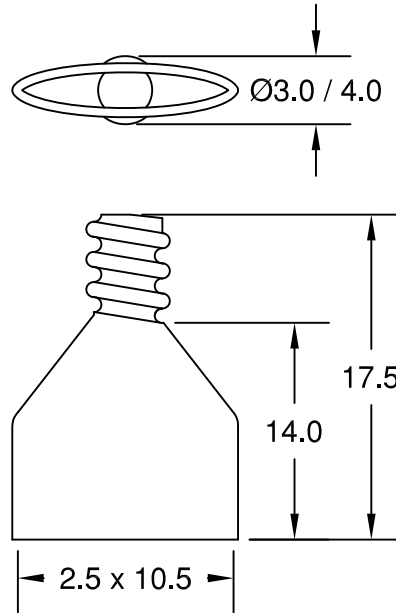
ENGINEER:

SALES ENGINEER:

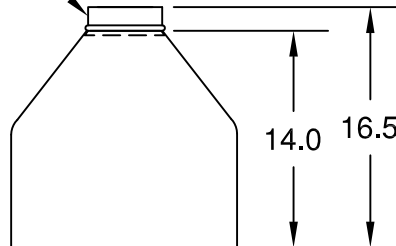
ARCHITECT:

CONTRACTOR:

DATE:



CONNECTION SLEEVE (OPTIONAL)  
NSAS-STAINLESS  
NSAG - GALVANIZED



### SCHEDULE

ITEM	QTY	MODEL	REFERENCE
		F675	

**NOTES:**

ALL DIMENSIONS IN INCHES AND NOMINAL.

CONSTRUCTION: SPECIAL FORMULATED RUBBER COMPOUND DESIGNED TO WITHSTAND EXHAUST TEMPERATURES UP TO 600° F.

HOSE DIAMETERS ARE FOR MODEL N1 HOSE. OTHER HOSES REQUIRE THE THREADS BE REMOVED AND A CONNECTION SLEEVE INSTALLED.

OPTIONAL CONNECTION SLEEVES CONSTRUCTED OF 20 GA. GALV. OR STAINLESS STEEL.