

PROJECT:

LOCATION:

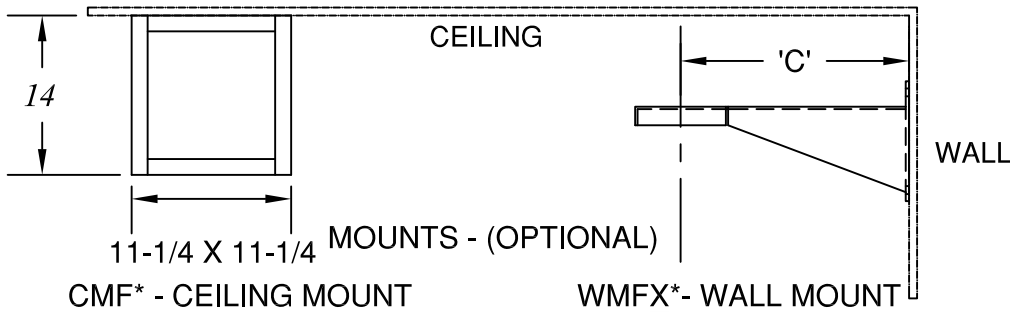
ENGINEER:

SALES ENGINEER:

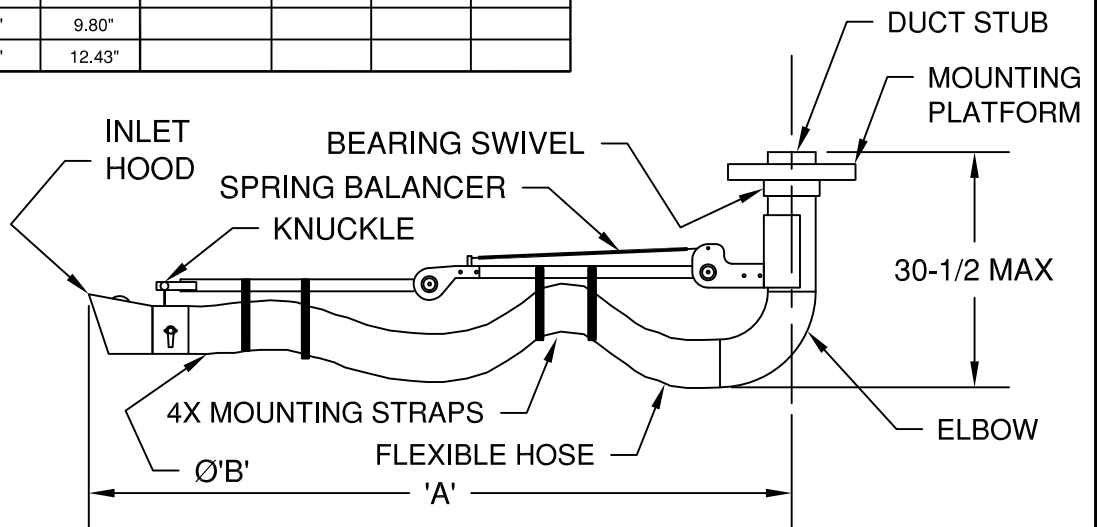
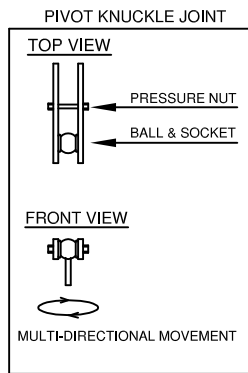
ARCHITECT:

CONTRACTOR:

DATE:



MODEL	'A'	'B'	'C'	MODEL	'A'	'B'	'C'
FAFE 4050	5'	4"	3.53"	FAFE 4100	10'	4"	3.53"
FAFE 5050	5'	5"	6.02"	FAFE 5100	10'	5"	6.02"
FAFE 6050	5'	6"	9.80"	FAFE 6100	10'	6"	9.80"
FAFE 8050	5'	8"	12.43"	FAFE 8100	10'	8"	12.43"
FAFE 4075	7.5'	4"	3.53"				
FAFE 5075	7.5'	5"	6.02"				
FAFE 6075	7.5'	6"	9.80"				
FAFE 8075	7.5'	8"	12.43"				



SCHEDULE

ITEM	QTY	MODEL	REFERENCE

NOTES:

ALL DIMENSIONS SHOWN IN INCHES.
 PLATFORM- 16 GA PAINTED STEEL. ARM TUBES- 1/8" WALL, SQUARE ALUMINUM. ARM JOINTS- 10 GA GALVANIZED STEEL. CEILING AND WALL MOUNTS- PAINTED STEEL. FLEXIBLE HOSE- MODEL NG NEOPRENE IMPREGNATED POLYESTER WITH GALVANIZED STEEL HELICAL SUPPORT. WELD HOOD- MODEL WH, 20 GA GALVANIZED STEEL. QUADRANT DAMPER AND/OR STAINLESS STEEL AND POLYCARBONATE CONSTRUCTION AVAILABLE. SPECIAL LENGTHS AND DIAMETERS MAY BE AVAILABLE UPON REQUEST. *SEE INDIVIDUAL SUBMITTALS FOR ADDITIONAL INFORMATION.