

PROJECT:

LOCATION:

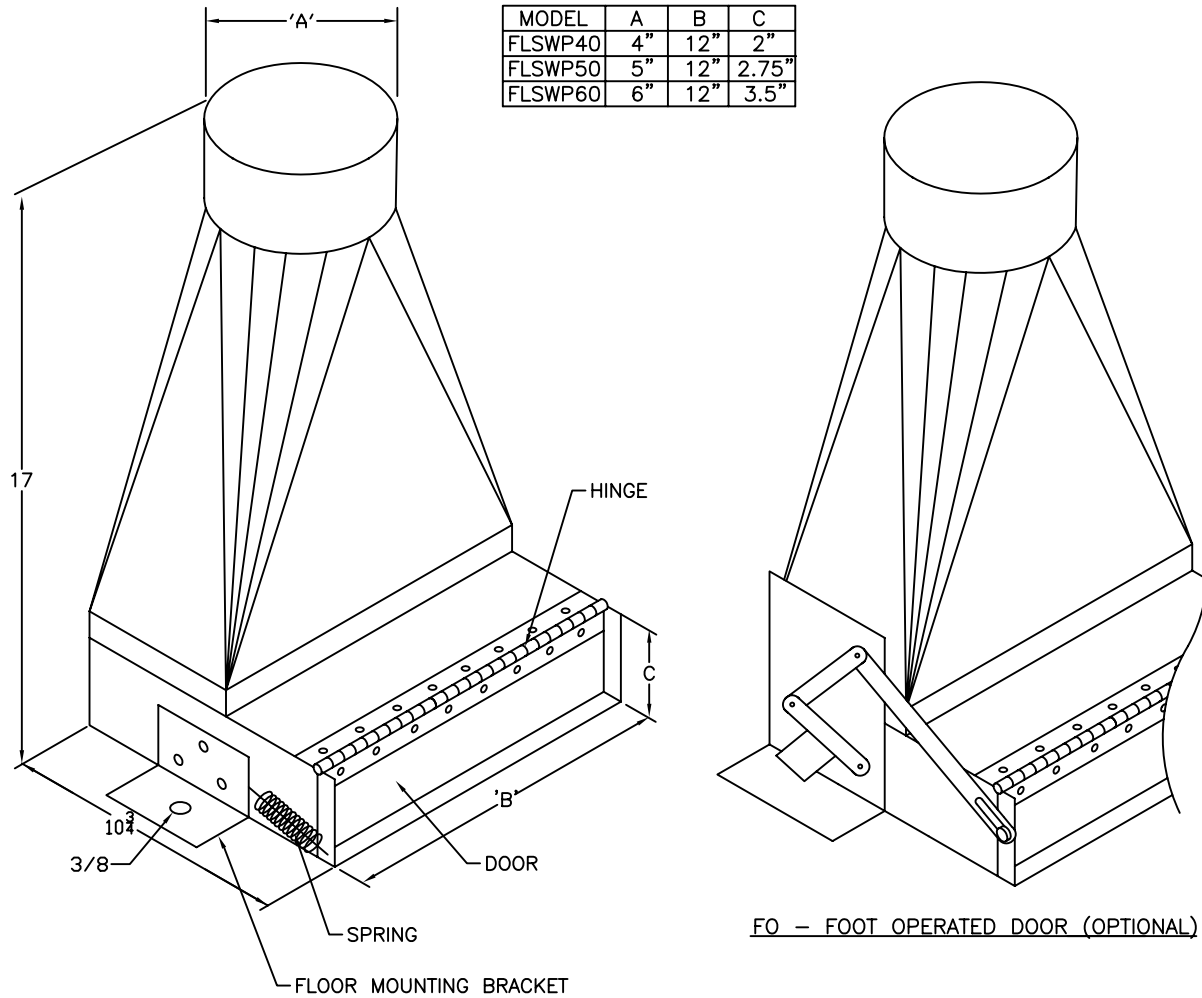
ENGINEER:

SALES ENGINEER:

ARCHITECT:

CONTRACTOR:

DATE:



## SCHEDULE

ITEM	QTY	MODEL	REFERENCE

**NOTES**

20 GA GALVANIZED CONSTRUCTION  
CONTINUOUS HINGE FOR DOOR OPERATION  
TWO SPRINGS FOR CLOSURE/ HOLD OPEN FEATURES