

PROJECT:

LOCATION:

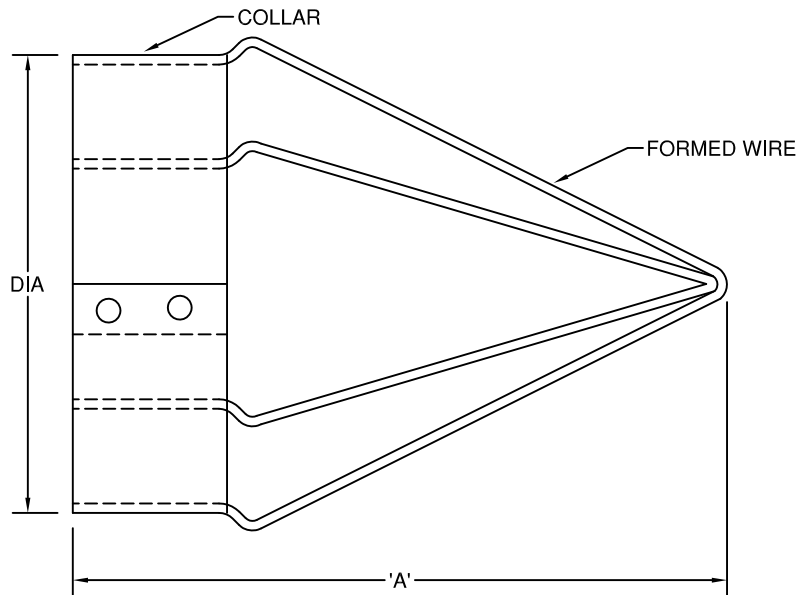
ENGINEER:

SALES ENGINEER:

ARCHITECT:

CONTRACTOR:

DATE:



DIA	'A'
3	6-3/4
4	7-1/2
5	8-1/2
8	7-1/2

MODEL DESIGNATION **HGG30**

MATERIAL 20 GA.	SELECT
GALVANIZED STEEL	G
STAINLESS STEEL	S

NOMINAL DIA	SELECT
3	30
4	40
5	50
6	60
8	80

SCHEDULE

ITEM	QTY	MODEL	REFERENCE

NOTES

ALL DIMENSIONS IN INCHES

COLLAR - 20 GAUGE STEEL CONSTRUCTION

WIRE - 1/8" DIAMETER STEEL