

PROJECT:

LOCATION:

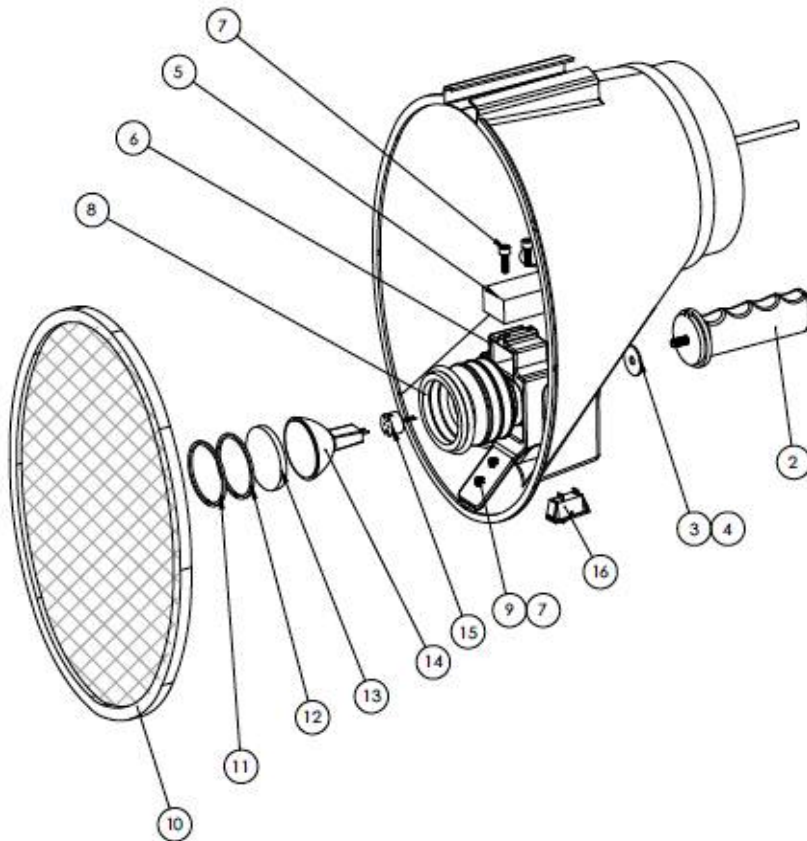
ENGINEER:

SALES ENGINEER:

ARCHITECT:

CONTRACTOR:

DATE:



PART #	DESCRIPTION
1	6" Diameter Plastic Hood
2	Hood Handle
3	Nut M6
4	Washer 6 MM, Fender
5	Transformer 115/1/60 to 12/1/60
6	Clamping Screw for Transformer
7	Screw M4
8	Lamp Body Assembly
9	Nut M4, Nyloc
10	Spark Proof Screen with Gasket
11	Circle Clip-I
12	Circle Clip-II
13	Glass Lenz
14	Halogen Lamp 50w 12vac
15	Lamp Holder
16	ON/OFF Switch
17	3 Conductor Cable 15-1/2'

### SCHEDULE

ITEM	QTY	MODEL	REFERENCE

NOTES:

ALL DIMENSIONS ARE IN INCHES.