

PROJECT:

LOCATION:

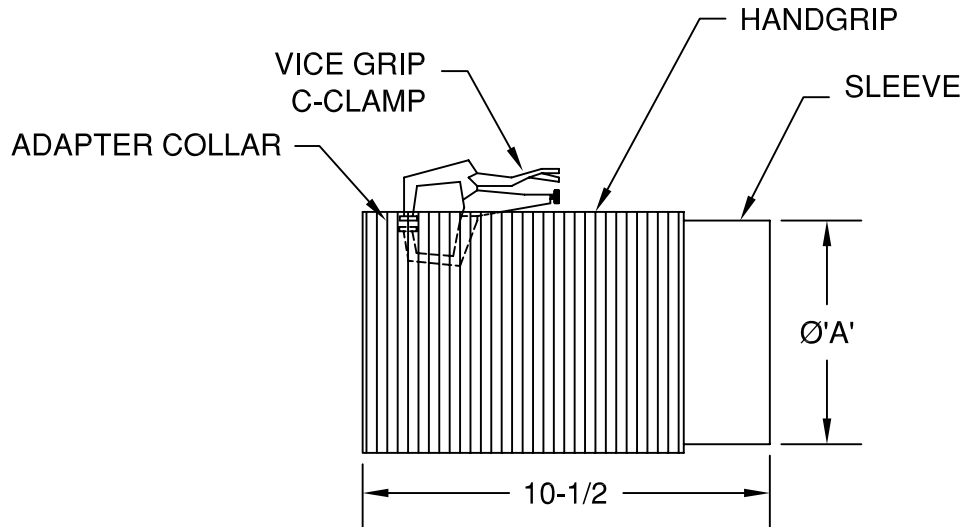
ENGINEER:

SALES ENGINEER:

ARCHITECT:

CONTRACTOR:

DATE:



MODEL	'A'
LTS30	3
LTS40	4
LTS50	5
LTS60	6
LTS80	8
LTS100	10

SCHEDULE

ITEM	QTY	MODEL	REFERENCE

NOTES:

ALL DIMENSIONS IN INCHES.
 SLEEVE - 20 GAUGE STAINLESS STEEL.
 HANDGRIP - 1/4" THICK EPDM RUBBER.
 CLAMP- COATED STEEL.
 'A' NOMINAL.