

PROJECT:

LOCATION:

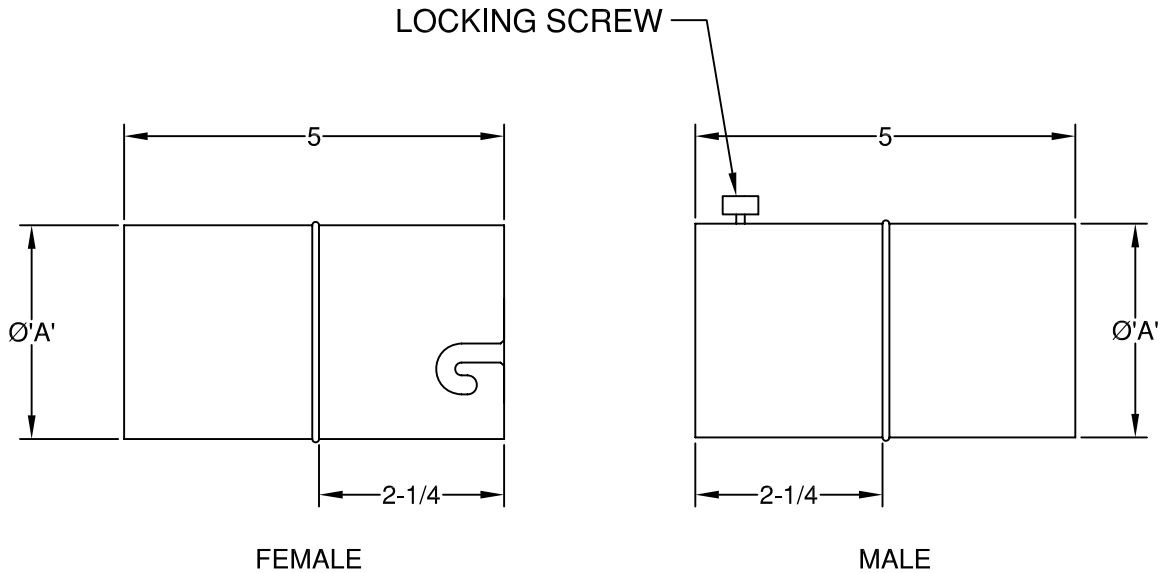
ENGINEER:

SALES ENGINEER:

ARCHITECT:

CONTRACTOR:

DATE:



MODEL DESIGNATION

MIG30III

TYPE	SELECT
MALE	M
FEMALE	F

MATERIAL 20 GA.	SELECT
GALVANIZED STEEL	G
STAINLESS STEEL	S

NOMINAL	SELECT
'A'	
3	30
4	40
5	50
6	60
8	80

SCHEDULE

ITEM	QTY	MODEL	REFERENCE

NOTES

ALL DIMENSIONS IN INCHES AND NOMINAL