



SUBMITTAL

**NO CRUSH/RUBBER
ADJUSTABLE
TAILPIPE ADAPTER**

PROJECT:

LOCATION:

ENGINEER:

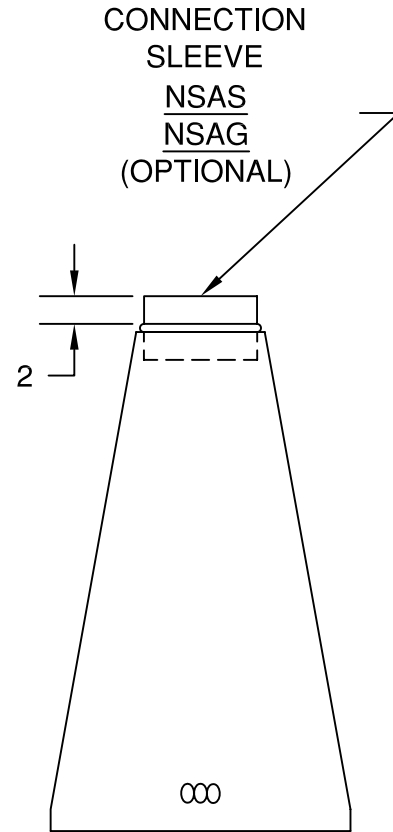
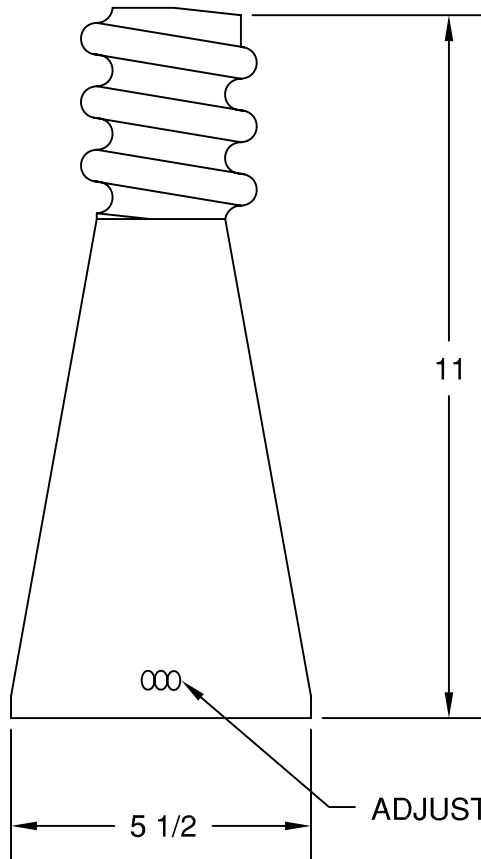
SALES ENGINEER:

ARCHITECT:

CONTRACTOR:

DATE:

RA300 - FOR 3" N1



SCHEDULE

ITEM	QTY	MODEL	REFERENCE

NOTES:

ALL DIMENSIONS IN INCHES AND NOMINAL.

CONSTRUCTION: SPECIAL FORMULATED RUBBER COMPOUND DESIGNED TO WITHSTAND EXHAUST TEMPERATURES UP TO 600° F.

HOSE DIAMETERS ARE FOR MODEL N1 HOSE. OTHER HOSES REQUIRE THE THREADS BE REMOVED AND A CONNECTION SLEEVE INSTALLED.

OPTIONAL CONNECTION SLEEVES CONSTRUCTED OF 20 GA. GALV. OR STAINLESS STEEL.