

PROJECT:

LOCATION:

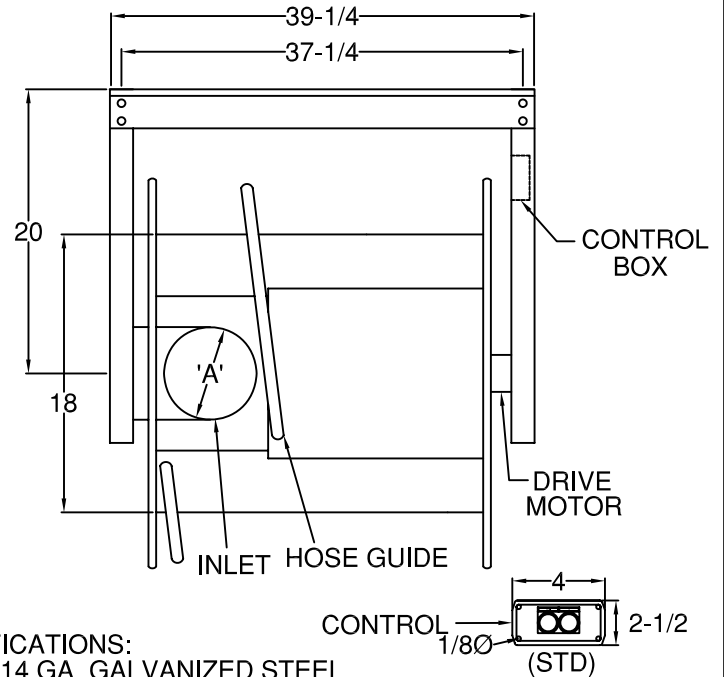
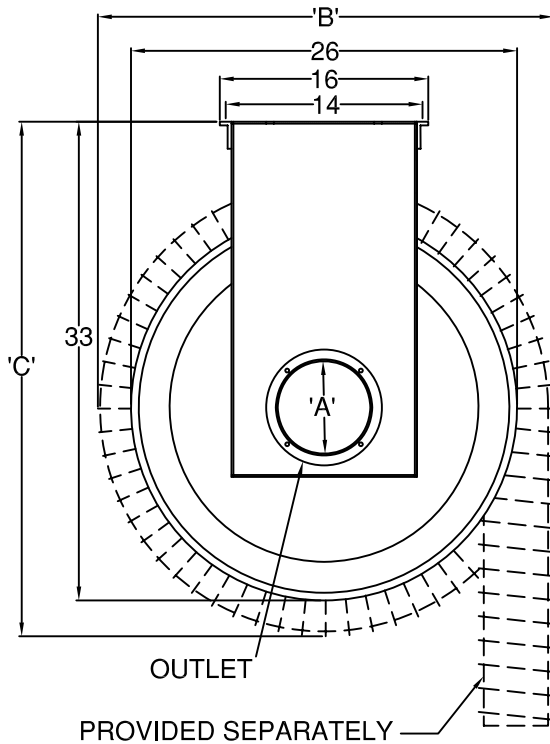
ENGINEER:

SALES ENGINEER:

ARCHITECT:

CONTRACTOR:

DATE:



**SPECIFICATIONS:**

- DRUM: 14 GA. GALVANIZED STEEL
- DRUM SIDE PLATE: 16 GA. GALVANIZED STEEL
- FRAME: 12 GA. GALVANIZED STEEL
- BEARING: SLEEVE BEARINGS
- MOTOR: 120/1/60, 3.8A, 430W, 14RPM
- TOTALLY ENCLOSED CONSTRUCTION
- INTEGRAL BRAKE & PUSH BUTTON LIMIT SWITCHES
- THERMAL OVERLOAD PROTECTION
- 2 BUTTON WALL STATION: MOMENTARY PUSH BUTTONS
- OPTIONS:
- MICROSWITCH FOR FAN/DAMPER CONTROL (MODEL MKS),
- INTEGRAL EXHAUST FAN, 4 BUTTON WALL STATION, 2 BUTTON
- PENDANT CONTROL. 4 BUTTON PENDANT CONTROL

MODEL	HOSE DIAMETER-'A'	HOSE CAPACITY STD * (FT)	'B'	'C'
TMHR30	3	25'	25	32-1/2
TMHR40	4	25'	27	33-1/2
TMHR50	5	25'	29	34-1/2
TMHR60	6	25'	31	35-1/2

FOUR Ø1/2" MOUNTING HOLES IN 14" X 37-1/4" RECTANGULAR PATTERN

### SCHEDULE

ITEM	QTY	MODEL	HOSE TYPE	HOSE DIAMETER	HOSE LENGTH	REFERENCE

**NOTES**

- ALL DIMENSIONS IN INCHES UNLESS OTHERWISE SPECIFIED.
- EXHAUST ADAPTER, FLEXIBLE HOSE AND FAN SPECIFIED ON SEPARATE DRAWING.
- \* CONSULT FACTORY FOR LARGER CAPACITIES OR NONSTANDARD DIAMETERS.