

PROJECT:

LOCATION:

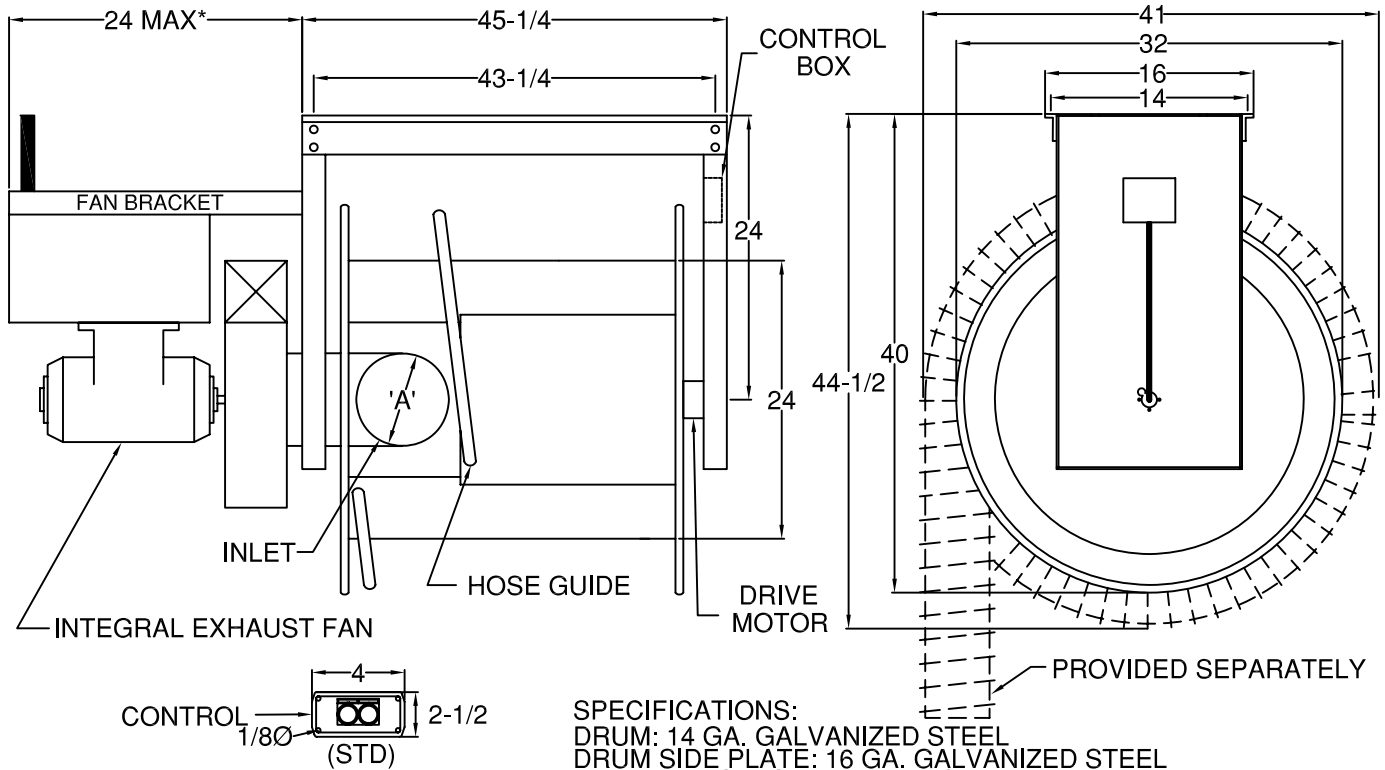
ENGINEER:

SALES ENGINEER:

ARCHITECT:

CONTRACTOR:

DATE:



MODEL	HOSE DIAMETER 'A'	HOSE CAPACITY STD * (FT)
TMHR80	8	25'

SPECIFICATIONS:

- DRUM: 14 GA. GALVANIZED STEEL
 - DRUM SIDE PLATE: 16 GA. GALVANIZED STEEL
 - FRAME: 12 GA. GALVANIZED STEEL
 - BEARING: SLEEVE BEARINGS
 - MOTOR: 120/1/60, 5.1A, 600W, 10RPM
 - TOTALLY ENCLOSED CONSTRUCTION
 - INTEGRAL BRAKE & PUSH BUTTON LIMIT SWITCHES
 - THERMAL OVERLOAD PROTECTION
 - 2 BUTTON WALL STATION: MOMENTARY PUSH BUTTONS
- OPTIONS:
- MICROSWITCH FOR FAN/DAMPER CONTROL (MODEL MKS),
 - INTEGRAL EXHAUST FAN, 4 BUTTON WALL STATION, 2 BUTTON
 - PENDANT CONTROL. 4 BUTTON PENDANT CONTROL

FOUR Ø1/2" MOUNTING HOLES IN 14" X 43-1/4" RECTANGULAR PATTERN
* VARIES DEPENDING ON FAN TYPE.

SCHEDULE

ITEM	QTY	MODEL	HOSE TYPE	HOSE DIAMETER	HOSE LENGTH	REFERENCE

NOTES

- ALL DIMENSIONS IN INCHES UNLESS OTHERWISE SPECIFIED.
- EXHAUST ADAPTER, FLEXIBLE HOSE AND FAN SPECIFIED ON SEPARATE DRAWING.
- * CONSULT FACTORY FOR LARGER CAPACITIES OR NONSTANDARD DIAMETERS.