

PROJECT:

LOCATION:

ENGINEER:

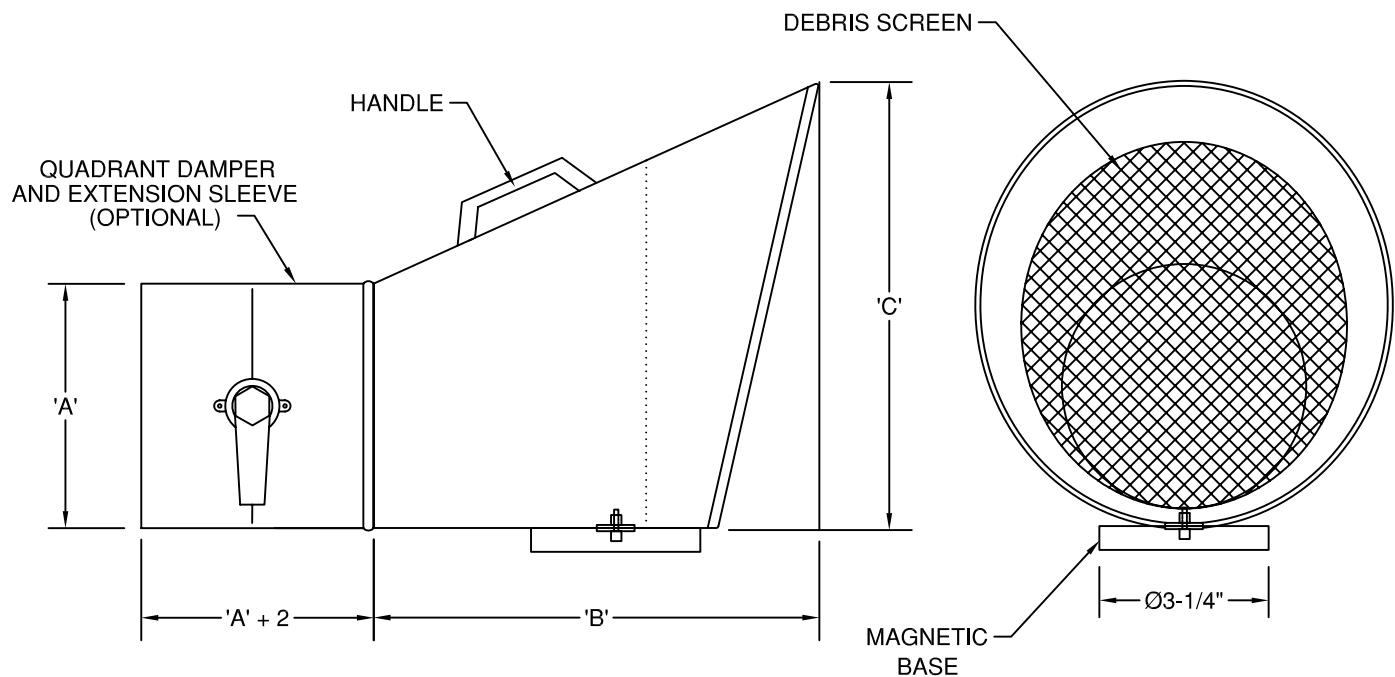
SALES ENGINEER:

ARCHITECT:

CONTRACTOR:

DATE:

MODEL	'A'	'B'	'C'
WH30P	3	7 1/2	7 1/2
WH40P	4	8 1/2	8 1/2
WH50P	5	9 1/2	9 1/2
WH60P	6	10 1/2	10 1/2
WH70P	7	11 1/2	11 1/2
WH80P	8	12 1/2	12 1/2



### SCHEDULE

ITEM	QTY	MODEL	REFERENCE

### NOTES

ALL DIMENSIONS IN INCHES  
HOOD & DAMPER CONSTRUCTED OF 1/8" PLASTIC  
EXTENSION SLEEVE & DEBRIS SCREEN CONSTRUCTED OF GALVANIZED STEEL.