

PROJECT:

LOCATION:

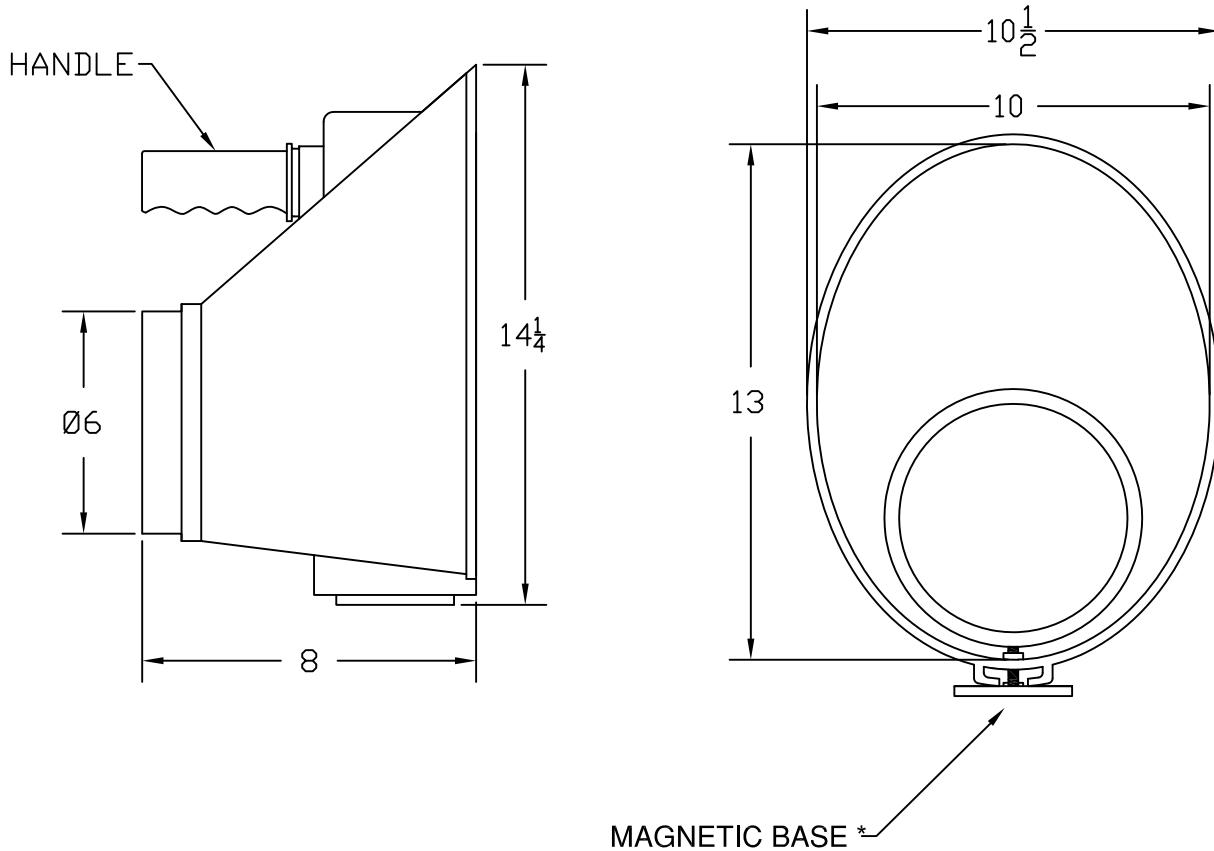
ENGINEER:

SALES ENGINEER:

ARCHITECT:

CONTRACTOR:

DATE:



SCHEDULE

ITEM	QTY	MODEL	REFERENCE
		WH60P	

NOTES

ALL DIMENSIONS IN INCHES.
 SOLID BLUE POLYCARBONATE CONSTRUCTION.
 SEE SEPARATE SUBMITTAL FOR OPTIONAL ACCESSORIES.
 AVAILABLE IN 6" DIAMETER EXCLUSIVELY.
 * NOT INCLUDED