

PROJECT:

LOCATION:

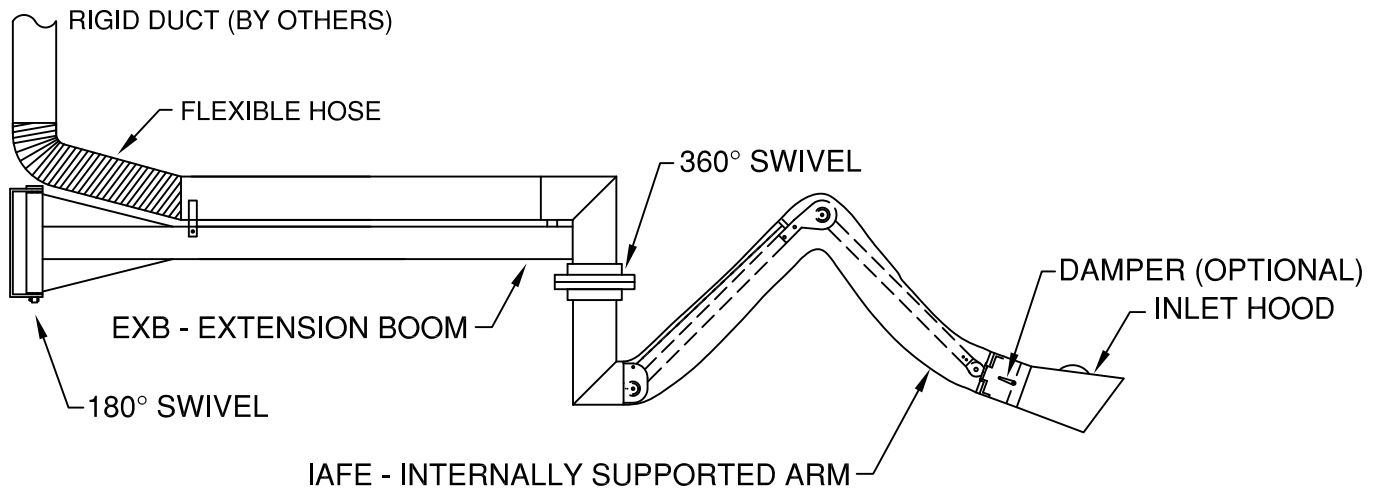
ENGINEER:

SALES ENGINEER:

ARCHITECT:

CONTRACTOR:

DATE:



NOTES:

SEE INDIVIDUAL SUBMITTAL DRAWINGS FOR ADDITIONAL INFORMATION.