

PROJECT:

LOCATION:

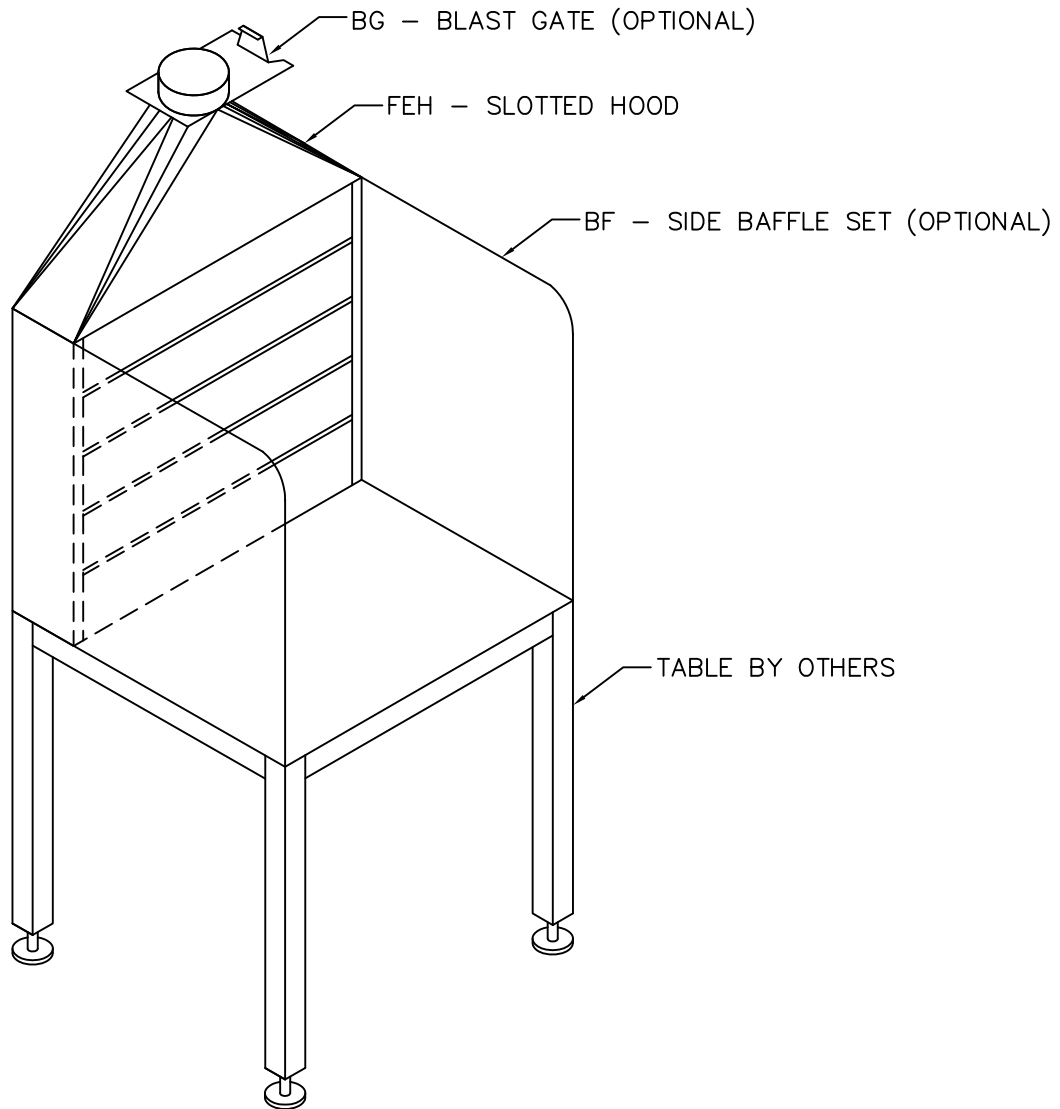
ENGINEER:

SALES ENGINEER:

ARCHITECT:

CONTRACTOR:

DATE:



## NOTES

SEE INDIVIDUAL SUBMITTALS FOR ADDITIONAL INFORMATION