



SUBMITTAL

ALUMINUM LIFTING ELBOW FOR N1 HOSE

PROJECT:

LOCATION:

ENGINEER:

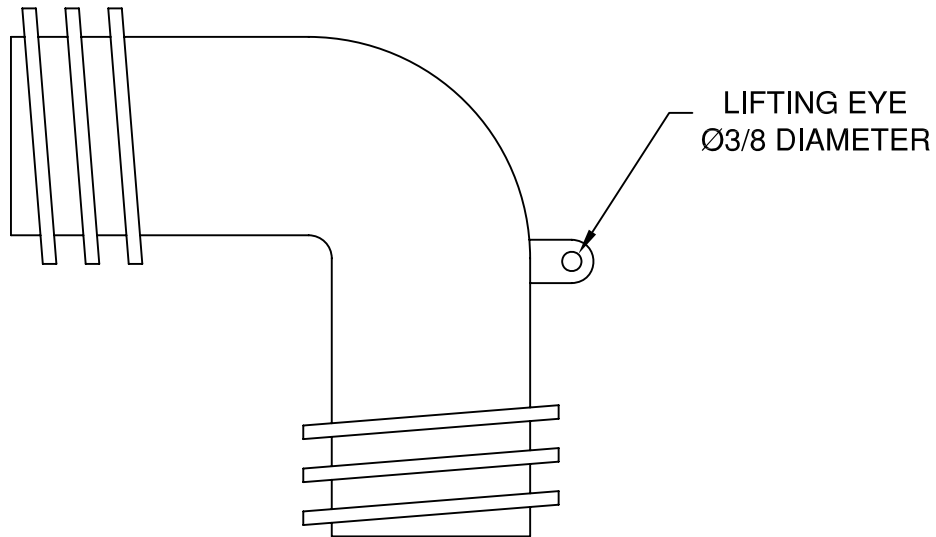
SALES ENGINEER:

ARCHITECT:

CONTRACTOR:

DATE:

LIFTING ELBOW



| MODEL | DIAMETER |
|-------|----------|
| AEL30 | 3" |
| AEL40 | 4" |
| AEL50 | 5" |
| AEL60 | 6" |

SCHEDULE

| ITEM | QTY | MODEL | REFERENCE |
|------|-----|-------|-----------|
| | | | |
| | | | |

NOTES:
ALL DIMENSIONS IN INCHES.
CAST ALUMINUM CONSTRUCTION.