

PROJECT:

LOCATION:

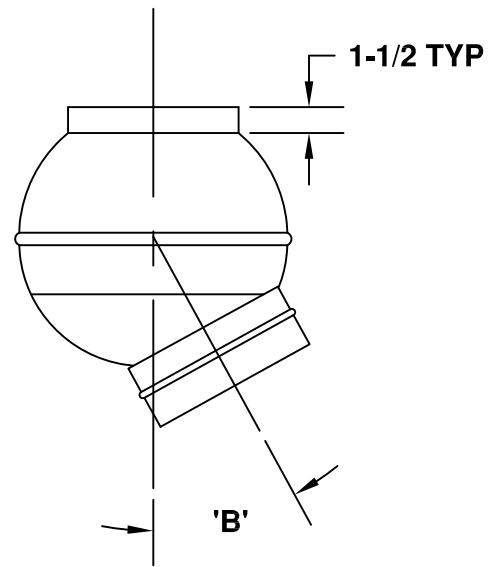
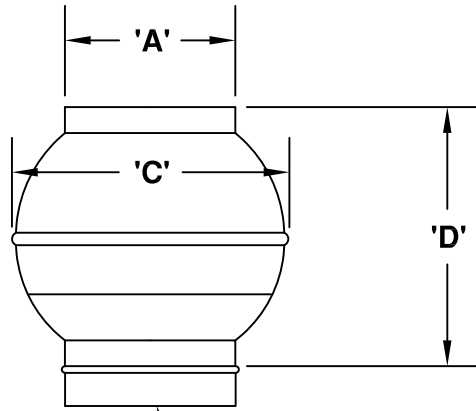
ENGINEER:

SALES ENGINEER:

ARCHITECT:

CONTRACTOR:

DATE:



NSAG- GALVANIZED
NSAS- STAINLESS
(OPTIONAL)*

MODEL	'A'	'B'	'C'	'D'
BJ20	2	37°	5 1/2	3 3/4
BJ30	3	23°	5 3/8	4 3/4
BJ40	4	23°	7 1/2	6 1/2
BJ50	5	27°	9	7 7/8
BJ60	6	27°	10 3/8	8 7/8
BJ70	7	15°	10 3/8	7 7/8
BJ80	8	27°	13	11
BJ90	9	27°	14 5/8	12
BJ100	10	22°	14 3/4	11 1/4
BJ120	12	20°	16 1/2	12 1/4
BJ140	14	22°	20	14 1/4

SCHEDULE

ITEM	QTY	MODEL	REFERENCE

NOTES:

ALL DIMENSIONS IN INCHES AND NOMINAL.

BALL JOINT - 20 GAUGE GALVANIZED SPUN STEEL.

*WHEN MOUNTING NONMETALLIC HOSE TO BALL JOINT, EXTENSION SLEEVES ARE REQUIRED.