

PROJECT:

LOCATION:

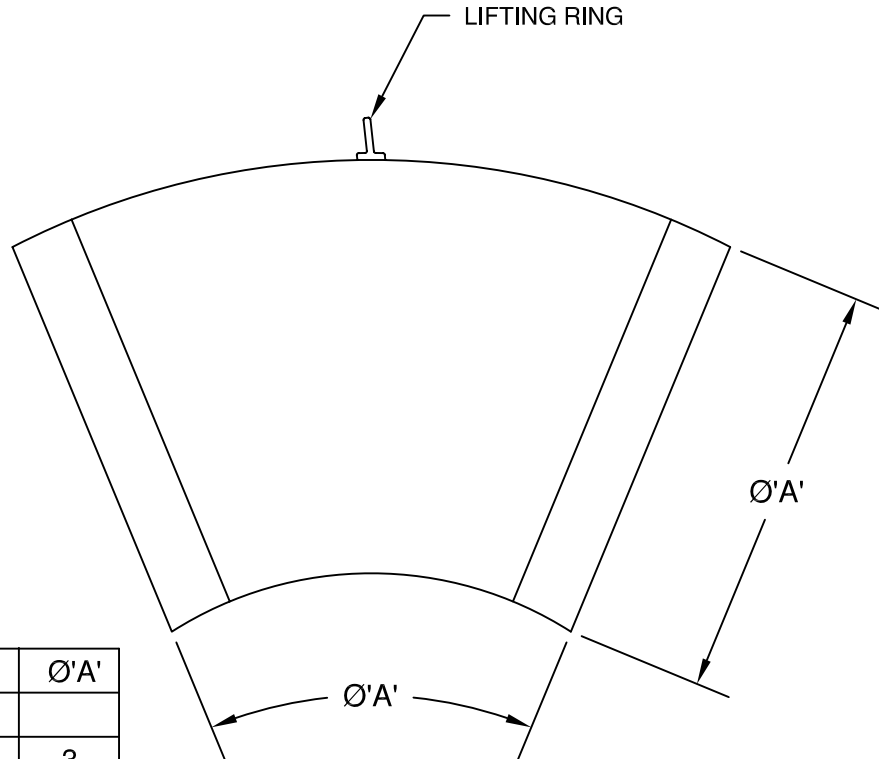
ENGINEER:

SALES ENGINEER:

ARCHITECT:

CONTRACTOR:

DATE:



MODEL		$\text{Ø}'A'$
S.S.	GALV.	
ELS30	ELG30	3
ELS40	ELG40	4
ELS50	ELG50	5
ELS60	ELG60	6
ELS80	ELG80	8
ELS100	ELG100	10

SCHEDULE

ITEM	QTY	MODEL	REFERENCE

NOTES:

ALL DIMENSIONS ARE IN INCHES.

ELBOW CONSTRUCTED OF 20 GAUGE STEEL, 1-1/2 CENTERLINE RADIUS.