

PROJECT:

LOCATION:

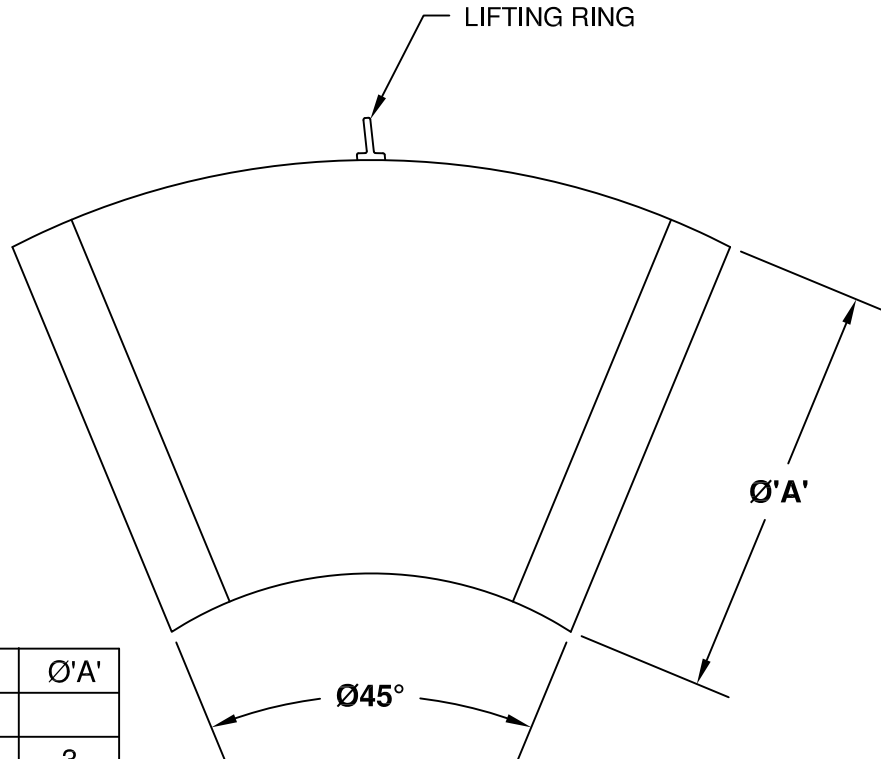
ENGINEER:

SALES ENGINEER:

ARCHITECT:

CONTRACTOR:

DATE:



MODEL		Ø'A'
GALV.	S.S.	
ELG30	ELS30	3
ELG40	ELS40	4
ELG50	ELS50	5
ELG60	ELS60	6
ELG80	ELS80	8
ELG100	ELS100	10

## SCHEDULE

ITEM	QTY	MODEL	REFERENCE

**NOTES:**

ALL DIMENSIONS ARE IN INCHES.

ELBOW CONSTRUCTED OF 20 GAUGE STEEL, 1-1/2 CENTERLINE RADIUS.