

PROJECT:

LOCATION:

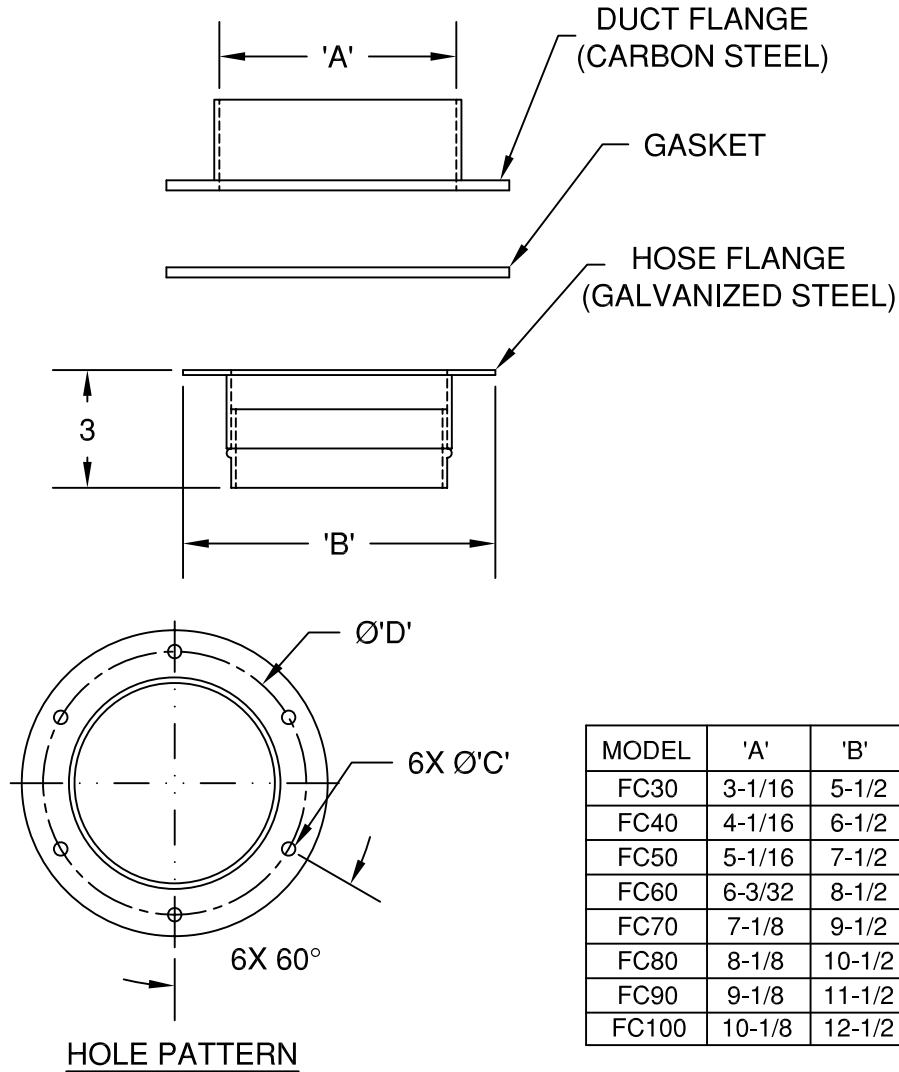
ENGINEER:

SALES ENGINEER:

ARCHITECT:

CONTRACTOR:

DATE:



SCHEDULE

ITEM	QTY	MODEL	REFERENCE

NOTES:

ALL DIMENSIONS IN INCHES.

GASKET CONSTRUCTED OF 1/32 NEOPRENE.

HARDWARE INCLUDED (6) ZINC COATED HEX BOLTS AND (6) ANTI-VIBRATION NUTS.