

PROJECT:

LOCATION:

ENGINEER:

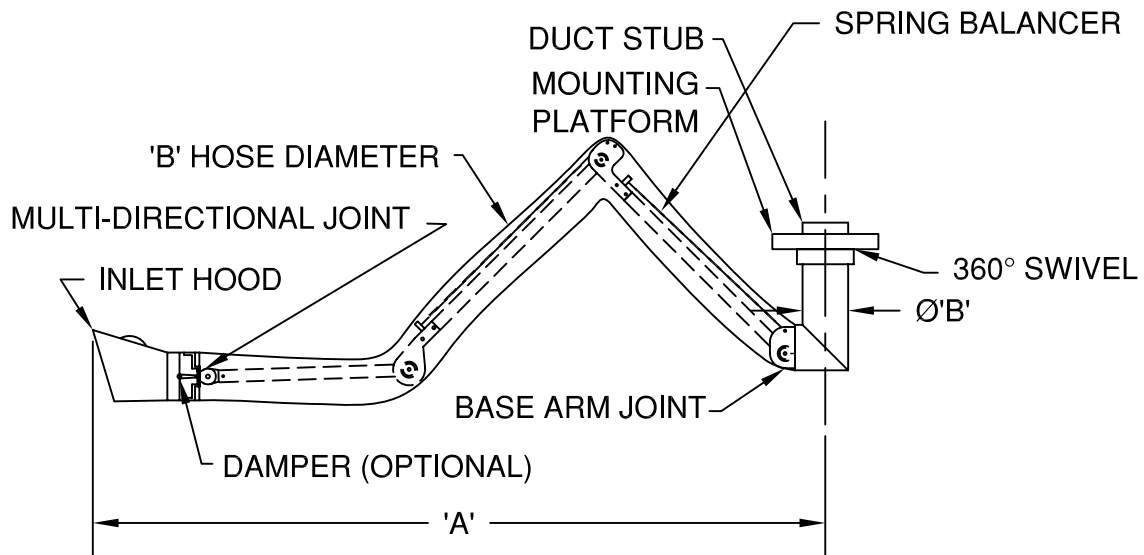
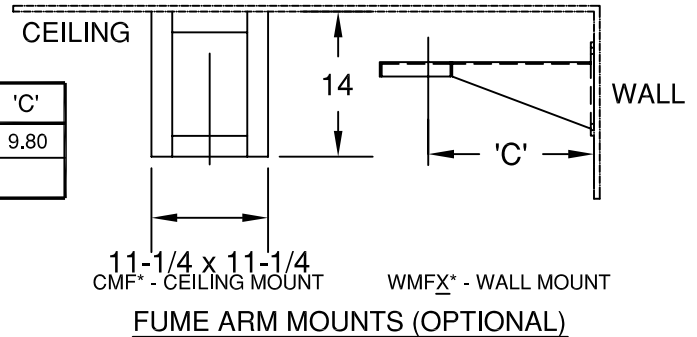
SALES ENGINEER:

ARCHITECT:

CONTRACTOR:

DATE:

MODEL	'A'	'B'	'C'	MODEL	'A'	'B'	'C'
IAFE6125	12.5'	6	9.80	IAFE 6150	15'	6	9.80
IAFE8125	12.5'	8	12.43				



## SCHEDULE

ITEM	QTY	MODEL	REFERENCE

**NOTES:**

ALL DIMENSIONS SHOWN IN INCHES.  
 PLATFORM- 16 GA PAINTED STEEL. ARM TUBES- 1/8" WALL, SQUARE ALUMINUM. ARM JOINTS- 10 GA GALVANIZED STEEL. CEILING AND WALL MOUNTS- PAINTED STEEL.  
 FLEXIBLE HOSE- MODEL NG NEOPRENE IMPREGNATED POLYESTER WITH GALVANIZED STEEL HELICAL SUPPORT. WELD HOOD- MODEL WH, 20 GA GALVANIZED STEEL.  
 QUADRANT DAMPER AND/OR STAINLESS STEEL AND POLYCARBONATE CONSTRUCTION AVAILABLE. SPECIAL LENGTHS AND DIAMETERS MAY BE AVAILABLE UPON REQUEST.  
 \*SEE INDIVIDUAL SUBMITTALS FOR ADDITIONAL INFORMATION.