

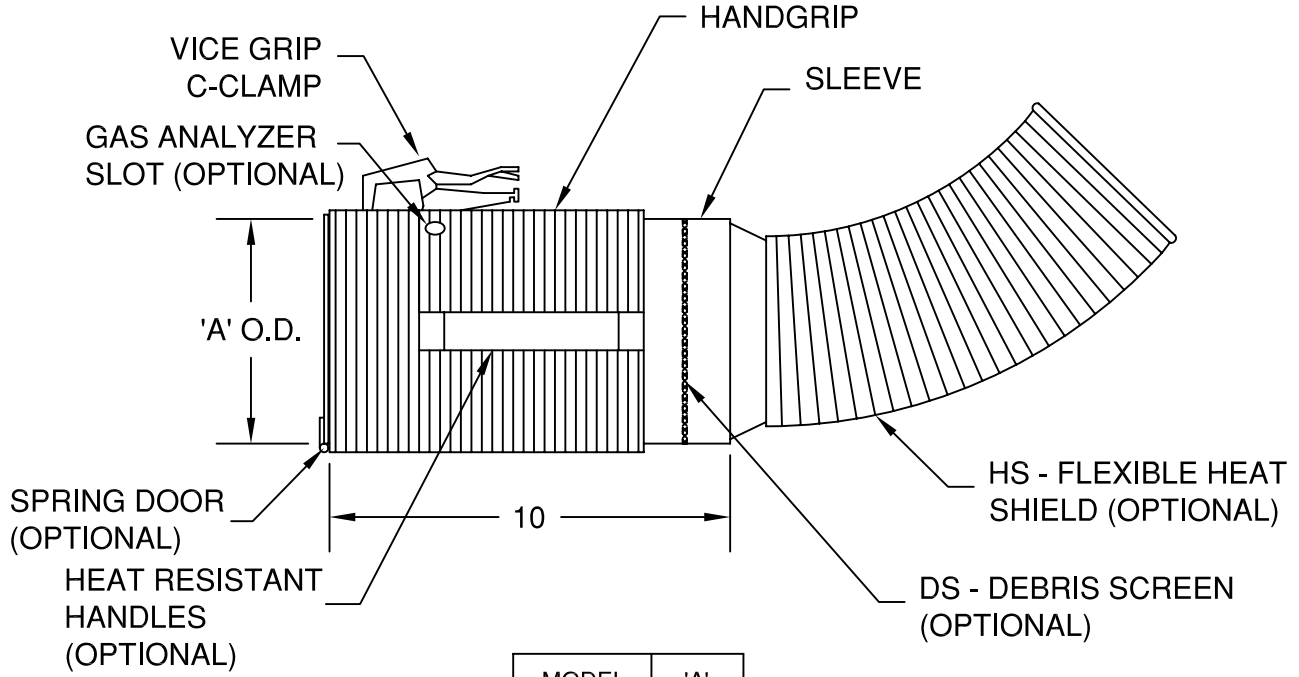


# SUBMITTAL

# LOCKING EXHAUST ADAPTER W/ OPTIONS

PROJECT:

LOCATION:	ENGINEER:	SALES ENGINEER:
ARCHITECT:	CONTRACTOR:	DATE:



MODEL	'A'
LTS30	3
LTS40	4
LTS50	5
LTS60	6
LTS80	8

## SCHEDULE

ITEM	QTY	MODEL	REFERENCE

NOTES:  
 ALL DIMENSIONS IN INCHES.  
 SLEEVE - 20 GAUGE STAINLESS STEEL.  
 HANDGRIP - 1/4" THICK EPDM RUBBER.  
 CLAMP- COATED STEEL.  
 'A' NOMINAL.