

PROJECT:

LOCATION:

ENGINEER:

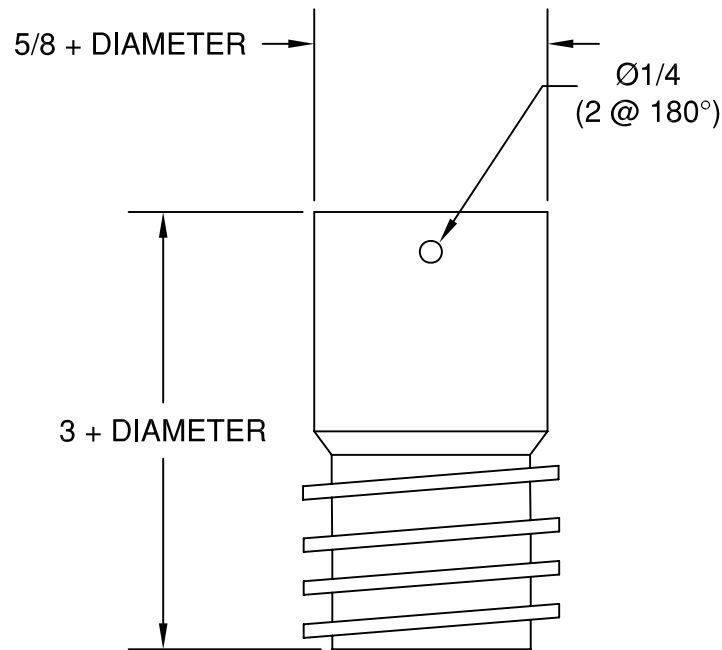
SALES ENGINEER:

ARCHITECT:

CONTRACTOR:

DATE:

OVERHEAD CONNECTOR



MODEL	DIAMETER
OC30	3"
OC40	4"
OC50	5"
OC60	6"

SCHEDULE

ITEM	QTY	MODEL	REFERENCE

NOTES:
ALL DIMENSIONS IN INCHES.
CAST ALUMINUM CONSTRUCTION.