

PROJECT:

LOCATION:

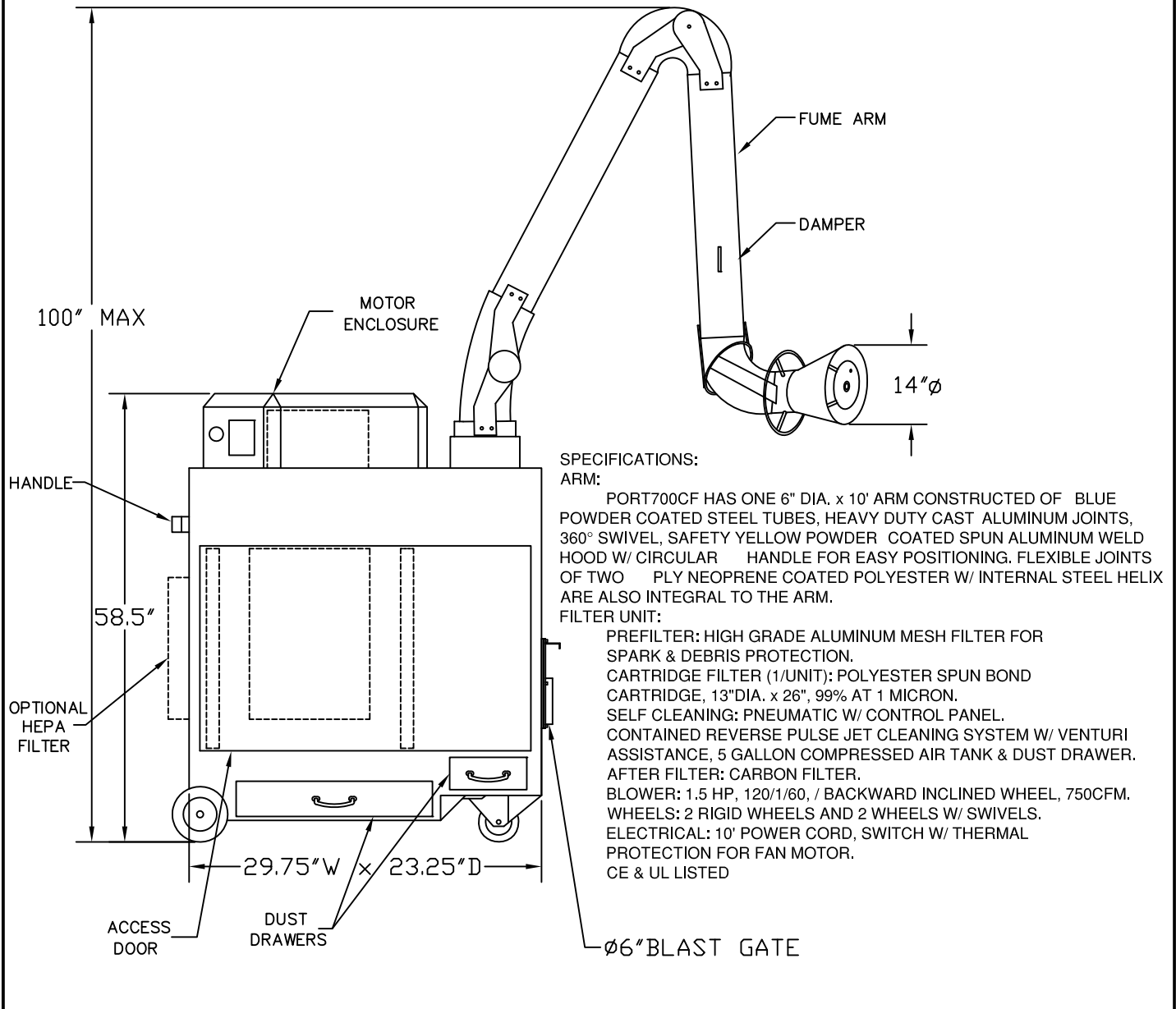
ENGINEER:

SALES ENGINEER:

ARCHITECT:

CONTRACTOR:

DATE:



SCHEDULE

ITEM	QTY	MODEL	ARM DIAMETER	ARM REACH	ELECTRICAL	REFERENCE
		PORT700CF	6"	10'	120/1/60	

NOTES:

DESIGNED FOR THE CAPTURE OF WELDING EXHAUST FUMES EITHER VERTICALLY OR HORIZONTALLY UP TO 12" FROM THE POINT OF WELDING. SUITABLE FOR WELDING STEEL UP TO 1/2" THICK WITH MEDIUM SETTING OR 250 AMP MIG WELDER.