

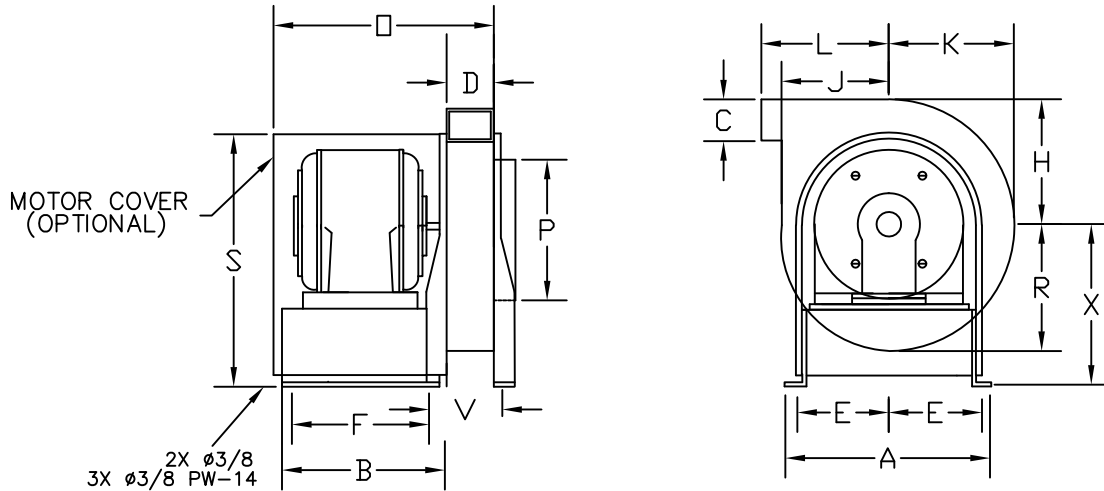


SUBMITTAL

DIRECT DRIVE VOLUME BLOWER

PROJECT:

| | | |
|------------|-------------|-----------------|
| LOCATION: | ENGINEER: | SALES ENGINEER: |
| ARCHITECT: | CONTRACTOR: | DATE: |



| MODEL | HP | RPM | PERFORMANCE - CFM | | | | | | | | | | | | | | |
|-------|-----|------|-------------------|---------|-----------|---------|-----------|---------|---------|---------|---------|---------|---------|----------|----------|----------|---|
| | | | 1.5" S.P. | 2" S.P. | 2.5" S.P. | 3" S.P. | 3.5" S.P. | 4" S.P. | 5" S.P. | 6" S.P. | 7" S.P. | 8" S.P. | 9" S.P. | 10" S.P. | 11" S.P. | 12" S.P. | |
| PW8 | 1/3 | 3500 | 237 | 216 | 192 | 165 | 129 | 70 | — | — | — | — | — | — | — | — | — |
| PW9 | 1/2 | 3500 | 423 | 399 | 374 | 346 | 316 | 282 | 195 | — | — | — | — | — | — | — | — |
| PW11 | 1 | 3500 | 719 | 692 | 664 | 635 | 606 | 575 | 508 | 431 | 329 | — | — | — | — | — | — |
| PW12 | 3 | 3500 | 1117 | 1090 | 1062 | 1033 | 1004 | 974 | 911 | 842 | 765 | 672 | 549 | — | — | — | — |
| PW14 | 5 | 3500 | 2230 | 2180 | 2130 | 2070 | 2020 | 1960 | 1840 | 1720 | 1570 | 1400 | 1240 | 1080 | 880 | 670 | — |

| BLOWER | WHEEL | A | B | C | D | E | F | G | H | J | K | L | O | P | R | X | S | V |
|--------|--|--------------------------------|--------------------------------|-------------------------------|-------------------------------|-------------------------------|--------------------------------|-------------------------------|--------------------------------|-------------------------------|--------------------------------|-------------------------------|--------------------------------|---|--------------------------------|--------------------------------|--------------------------------|-------------------------------|
| PW8 | 7 ³ / ₄ x 2 ¹ / ₄ | 11 | 8 | 3 | 3 | 5 | 7 | 1 ¹ / ₂ | 5 ³ / ₈ | 4 ⁷ / ₈ | 5 ⁷ / ₈ | 5 ⁷ / ₈ | 12 ¹ / ₄ | 4 | 6 ⁵ / ₈ | 8 ¹ / ₂ | 13 ¹ / ₈ | |
| PW9 | 9 x 2 ³ / ₄ | 12 ¹ / ₈ | 8 | 3 ¹ / ₂ | 3 ¹ / ₂ | 5 ⁵ / ₈ | 7 | 1 ¹ / ₂ | 6 ³ / ₈ | 5 ³ / ₄ | 6 ⁷ / ₈ | 6 ³ / ₄ | 12 ³ / ₄ | 5 | 7 ¹ / ₂ | 9 ³ / ₈ | 14 ⁵ / ₈ | |
| PW11 | 10 ⁵ / ₈ x 3 | 14 ³ / ₄ | 9 | 4 | 3 ¹ / ₂ | 6 ⁷ / ₈ | 7 ¹ / ₂ | 3 ³ / ₄ | 7 ¹ / ₄ | 6 ¹ / ₂ | 8 | 7 ⁵ / ₈ | 14 | 6 | 8 ⁵ / ₈ | 11 ³ / ₄ | 18 ¹ / ₄ | |
| PW12 | 12 ¹ / ₂ x 3 | 17 | 11 ¹ / ₄ | 5 | 4 | 8 | 9 ³ / ₄ | 3 ³ / ₄ | 8 ¹ / ₄ | 7 ¹ / ₂ | 9 | 9 ⁵ / ₈ | 17 | 7 | 10 | 10 ⁵ / ₈ | 18 ³ / ₈ | |
| PW14 | 13 ¹ / ₂ x 4 ³ / ₈ | 17 ⁵ / ₈ | 11 ¹ / ₄ | 7 ¹ / ₈ | 5 ³ / ₄ | 8 | 9 ⁹ / ₁₆ | 1 | 10 ¹ / ₂ | 9 ⁵ / ₈ | 11 ³ / ₈ | 11 | 18 ⁷ / ₈ | 8 | 11 ¹ / ₂ | 12 ⁵ / ₈ | 21 ¹ / ₂ | 7 ¹ / ₄ |

SCHEDULE

| ITEM | QTY | MODEL | HP | ELECTRICAL | CFM | SP [WG"] | ROTATION/ DISCHARGE | REFERENCE |
|------|-----|-------|----|------------|-----|----------|---------------------|-----------|
| | | | | | | | | |
| | | | | | | | | |
| | | | | | | | | |

NOTES:
 CONSTRUCTION: WHEEL - HEAVY CAST ALUMINUM, HOUSING & MOTOR BASE- 16 GAUGE WITH BAKED EPOXY FINISH,
 AVAILABLE OPTIONS: RIS VIBRATION ISOLATORS, TEFC MOTOR & 20 GAUGE GALVANIZED STEEL MOTOR COVER
 BLOWER CAN BE ASSEMBLED FOR CW OR CCW ROTATION AND ANY ONE OF 8 STANDARD DISCHARGE POSITIONS
 (CCW-THD DEFAULT).