

PROJECT:

LOCATION:

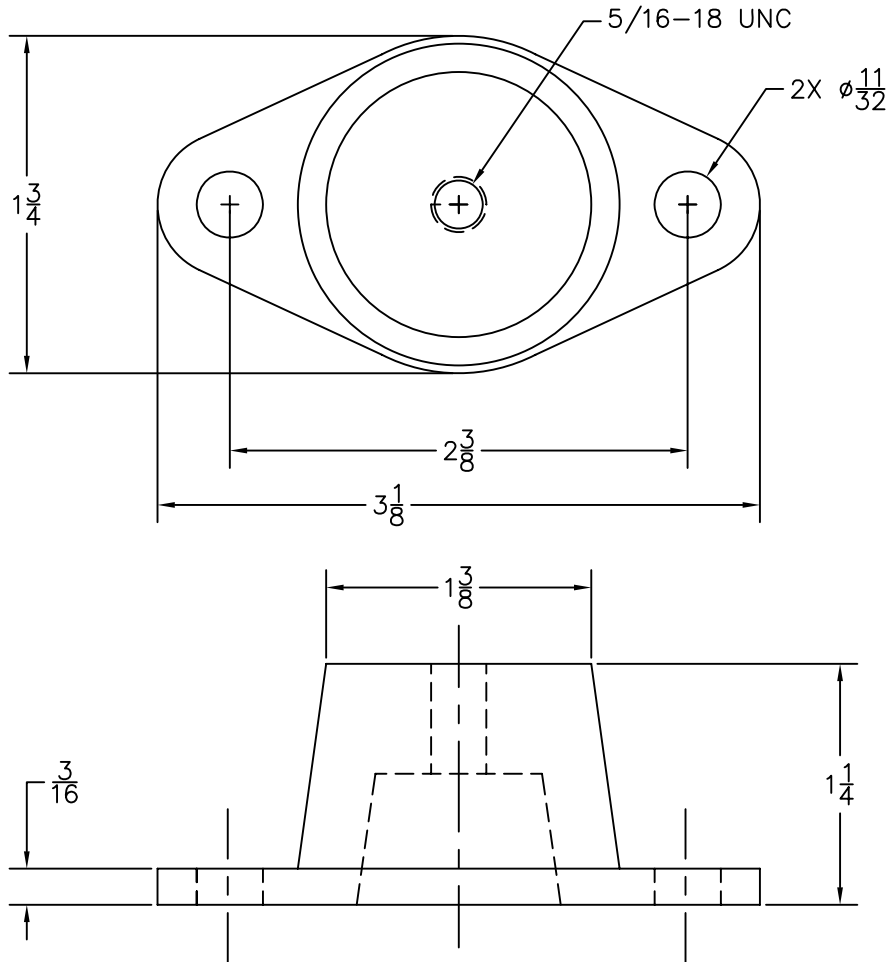
ENGINEER:

SALES ENGINEER:

ARCHITECT:

CONTRACTOR:

DATE:



MODEL	MAX LOAD (LBS)	DEFLECTION	A	B	C	D	E	F	G	H	COLOR
RIS4	30	1/2"	1-3/4"	2-3/8"	3-1/8"	1/4"	11/32"	1-1/4"	1-3/8"	3/16"	BLUE

SCHEDULE

ITEM	QTY	MODEL	REFERENCE
		RIS4	

NOTES

5/16-18 X 1-1/2 UNC FLEX BOLT, NUT AND (2) WASHERS INCLUDED