



# SUBMITTAL

**NO CRUSH/RUBBER  
SPLICE  
CONNECTOR FOR  
N1 HOSE**

PROJECT:

LOCATION:

ENGINEER:

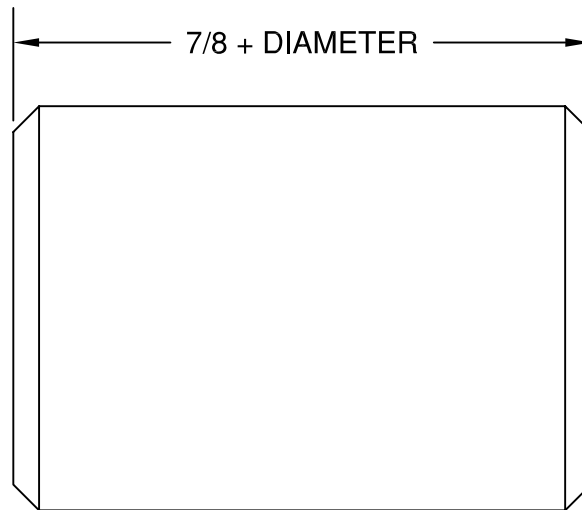
SALES ENGINEER:

ARCHITECT:

CONTRACTOR:

DATE:

## NO CRUSH SPLICE CONNECTOR



SP30 - FOR 3" DIAMETER N1  
SP40 - FOR 4" DIAMETER N1

## SCHEDULE

ITEM	QTY	MODEL	REFERENCE

NOTES:  
ALL DIMENSIONS IN INCHES.  
HIGH TEMPERATURE EPDM RUBBER CONSTRUCTION.