

PROJECT:

LOCATION:

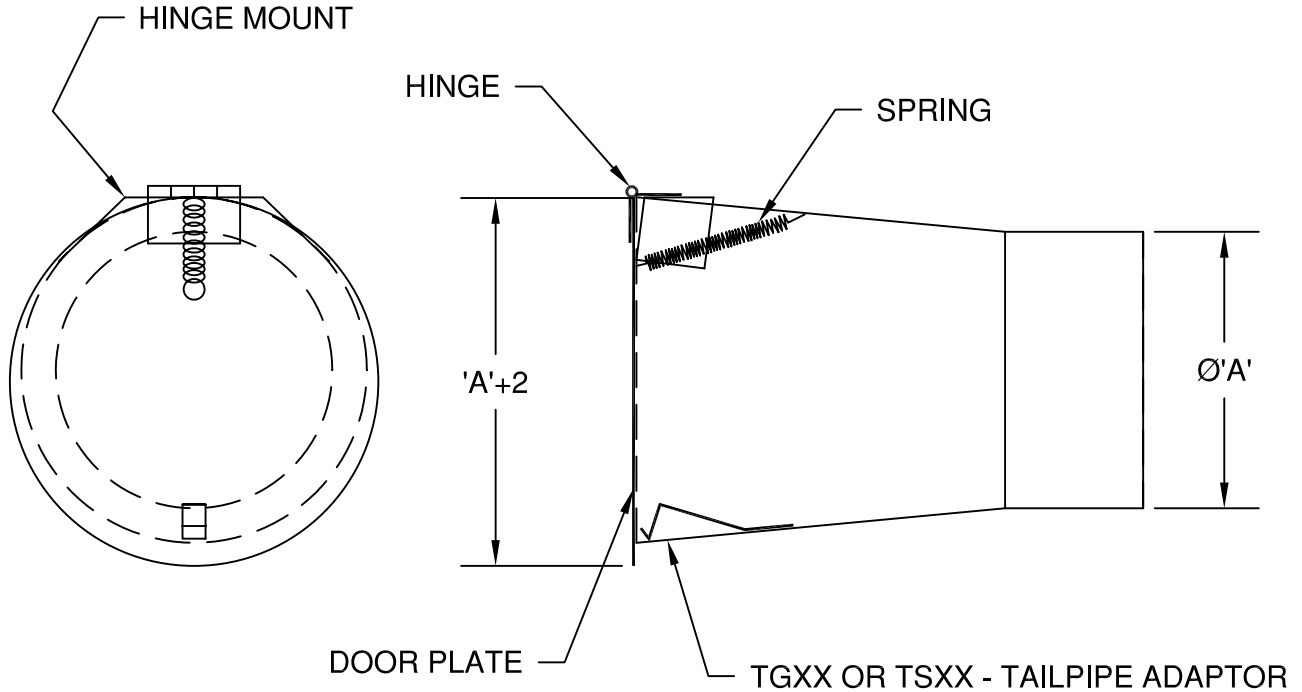
ENGINEER:

SALES ENGINEER:

ARCHITECT:

CONTRACTOR:

DATE:



MODEL	'A'
SDX30	3
SDX40	4
SDX50	5
SDX60	6
SDX80	8

### SCHEDULE

ITEM	QTY	MODEL	REFERENCE

**NOTES:**

ALL DIMENSIONS ARE IN INCHES.

X MUST BE SPECIFIED WITH A "G" FOR GALVANIZED STEEL OR "S" FOR STAINLESS STEEL.

SEE SEPARATE SUBMITTAL FOR TX TAILPIPE ADAPTOR FOR ADDITIONAL INFO.