

PROJECT:

LOCATION:

ENGINEER:

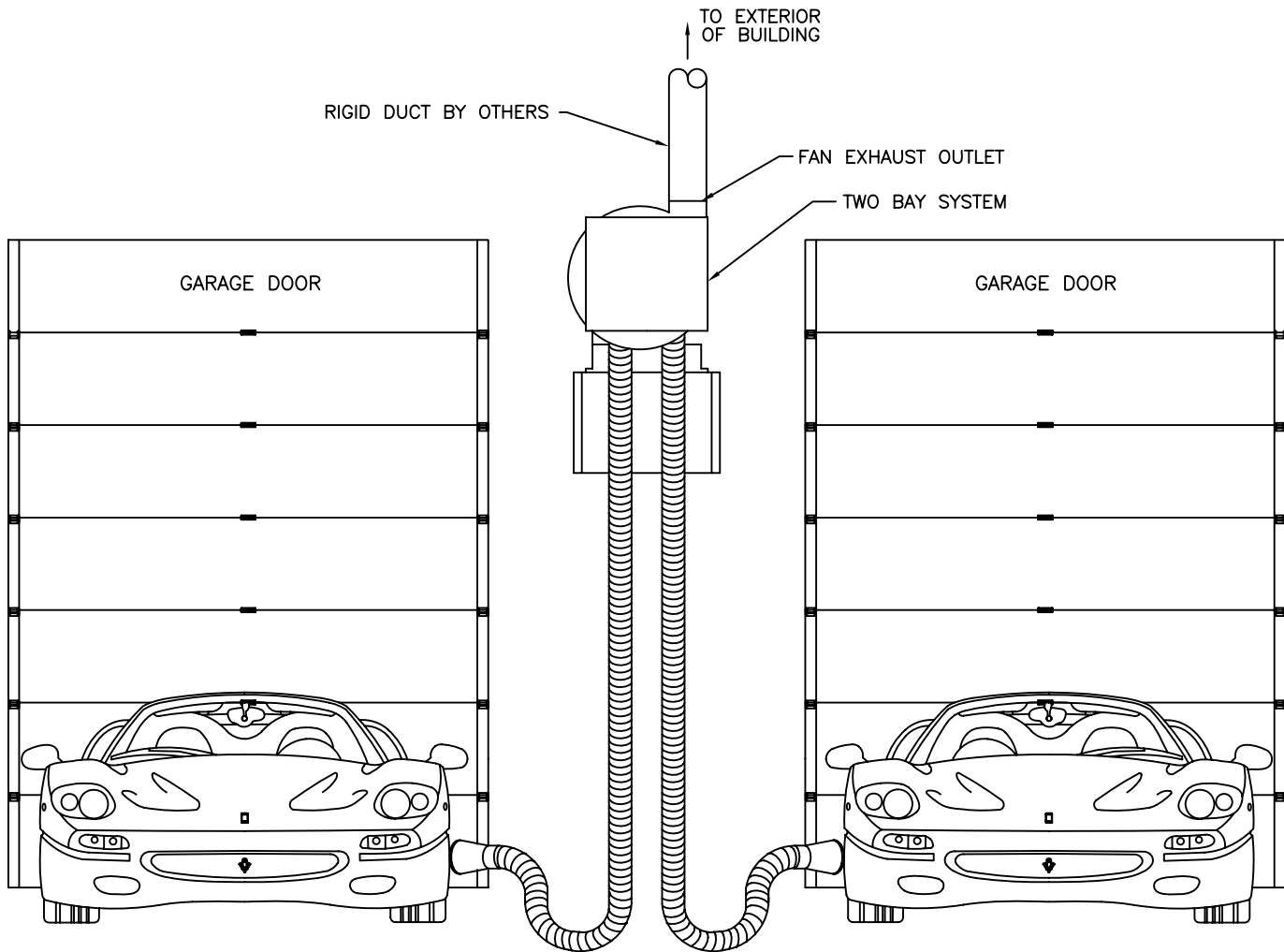
SALES ENGINEER:

ARCHITECT:

CONTRACTOR:

DATE:

MODEL	FANS	TUBING, SIZE & LENGTH	
TBU30	PW9	(1) N1 3" x 11'	(1) N1 3" x 22'
TBU40	PW9	(1) N1 4" x 11'	(1) N1 4" x 22'
TBU50	PW11	(1) N1 5" x 11'	(1) N1 5" x 22'



NOTES

- 1) SEE VOLUME BLOWER (MODEL PW) SUBMITTAL FOR FAN INFORMATION.
- 2) CONSULT FACTORY FOR SYSTEM VARIATIONS.