

PROJECT:

LOCATION:

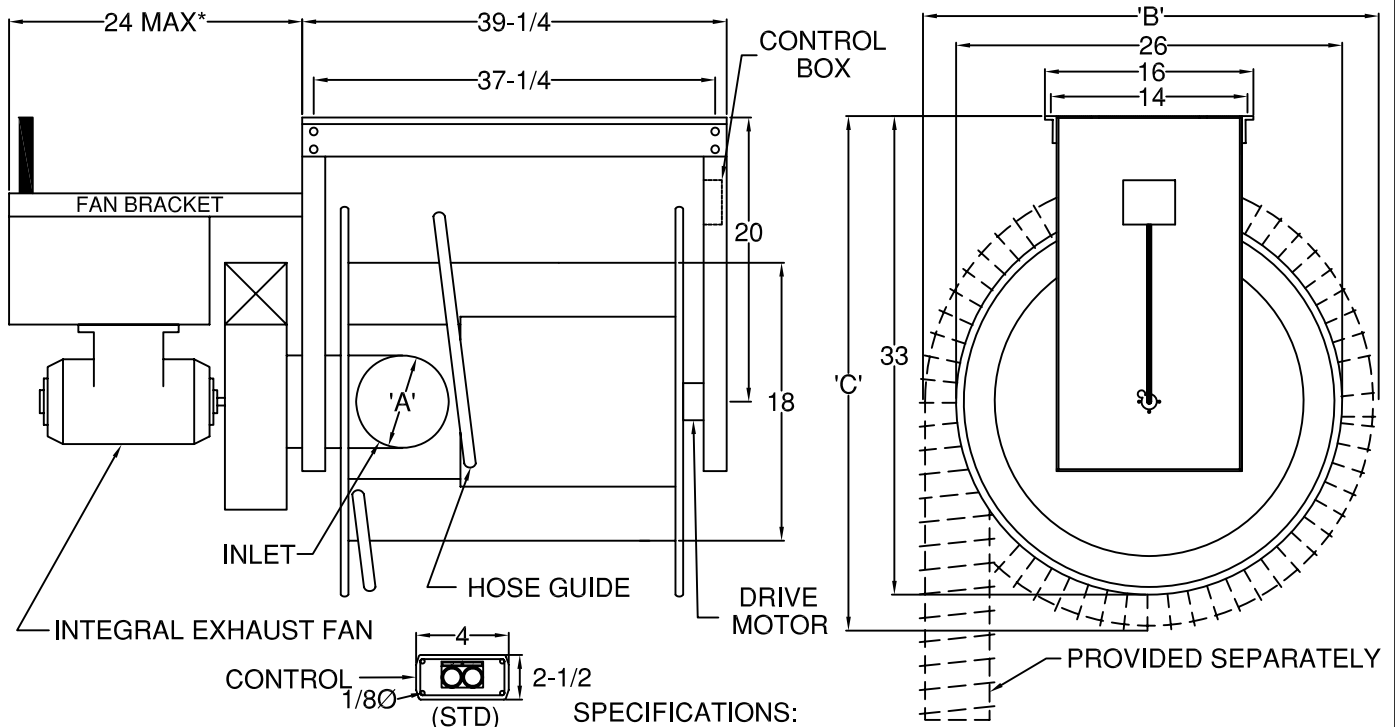
ENGINEER:

SALES ENGINEER:

ARCHITECT:

CONTRACTOR:

DATE:



MODEL	HOSE DIAMETER-'A'	HOSE CAPACITY STD * (FT)	'B'	'C'
TMHR30	3	25'	25	32-1/2
TMHR40	4	25'	27	33-1/2
TMHR50	5	25'	29	34-1/2
TMHR60	6	25'	31	35-1/2

SPECIFICATIONS:

DRUM: 14 GA. GALVANIZED STEEL
 DRUM SIDE PLATE: 16 GA. GALVANIZED STEEL
 FRAME: 12 GA. GALVANIZED STEEL
 BEARING: SLEEVE BEARINGS
 MOTOR: 120/1/60, 3.8A, 430W, 14RPM
 TOTALLY ENCLOSED CONSTRUCTION
 INTEGRAL BRAKE & PUSH BUTTON LIMIT SWITCHES
 THERMAL OVERLOAD PROTECTION
 2 BUTTON WALL STATION: MOMENTARY PUSH BUTTONS
OPTIONS:
 MICROSWITCH FOR FAN/DAMPER CONTROL (MODEL MKS),
 INTEGRAL EXHAUST FAN, 4 BUTTON WALL STATION, 2 BUTTON
 PENDANT CONTROL. 4 BUTTON PENDANT CONTROL

FOUR Ø1/2" MOUNTING HOLES IN 14" X 37-1/4" RECTANGULAR PATTERN
 * VARIES DEPENDING ON FAN TYPE.

SCHEDULE

ITEM	QTY	MODEL	HOSE TYPE	HOSE DIAMETER	HOSE LENGTH	REFERENCE

NOTES

ALL DIMENSIONS IN INCHES UNLESS OTHERWISE SPECIFIED.
 EXHAUST ADAPTER, FLEXIBLE HOSE AND FAN SPECIFIED ON SEPARATE DRAWING.
 * CONSULT FACTORY FOR LARGER CAPACITIES OR NONSTANDARD DIAMETERS.