

PROJECT:

LOCATION:

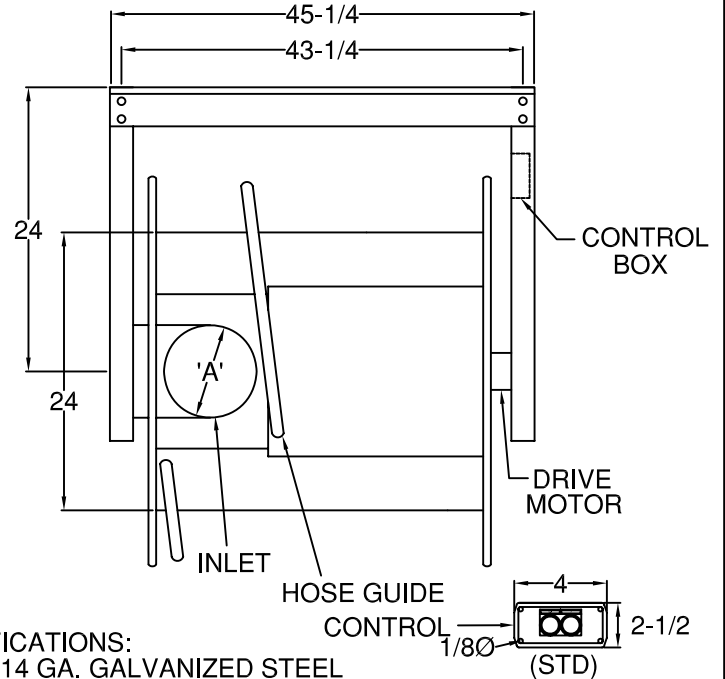
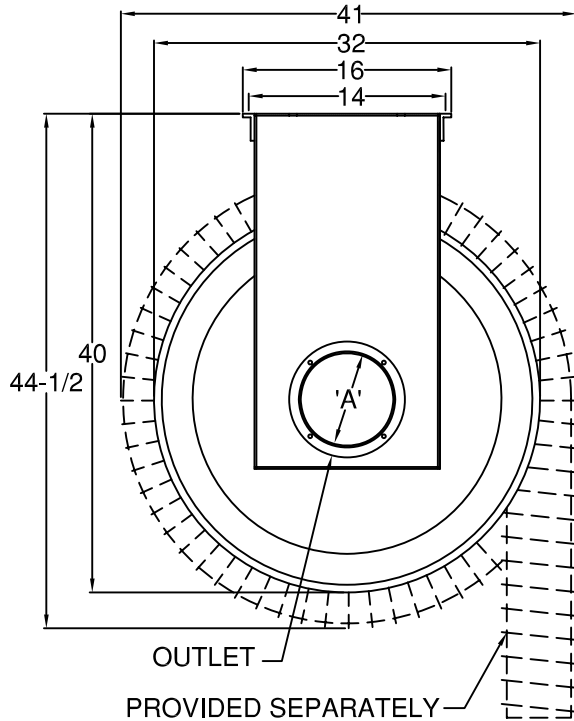
ENGINEER:

SALES ENGINEER:

ARCHITECT:

CONTRACTOR:

DATE:



MODEL	HOSE DIAMETER 'A'	HOSE CAPACITY STD * (FT)
TMHR80	8	25'

**SPECIFICATIONS:**

DRUM: 14 GA. GALVANIZED STEEL  
 DRUM SIDE PLATE: 16 GA. GALVANIZED STEEL  
 FRAME: 12 GA. GALVANIZED STEEL  
 BEARING: SLEEVE BEARINGS  
 MOTOR: 120/1/60, 5.1A, 600W, 10RPM  
 TOTALLY ENCLOSED CONSTRUCTION  
 INTEGRAL BRAKE & PUSH BUTTON LIMIT SWITCHES  
 THERMAL OVERLOAD PROTECTION  
 2 BUTTON WALL STATION: MOMENTARY PUSH BUTTONS  
 OPTIONS:  
 MICROSWITCH FOR FAN/DAMPER CONTROL (MODEL MKS),  
 INTEGRAL EXHAUST FAN, 4 BUTTON WALL STATION, 2 BUTTON  
 PENDANT CONTROL. 4 BUTTON PENDANT CONTROL

FOUR Ø1/2" MOUNTING HOLES IN 14" X 43-1/4" RECTANGULAR PATTERN

## SCHEDULE

ITEM	QTY	MODEL	HOSE TYPE	HOSE DIAMETER	HOSE LENGTH	REFERENCE

**NOTES**

ALL DIMENSIONS IN INCHES UNLESS OTHERWISE SPECIFIED.  
 EXHAUST ADAPTER, FLEXIBLE HOSE AND FAN SPECIFIED ON SEPARATE DRAWING.  
 \* CONSULT FACTORY FOR LARGER CAPACITIES OR NONSTANDARD DIAMETERS.