

PROJECT:

LOCATION:

ENGINEER:

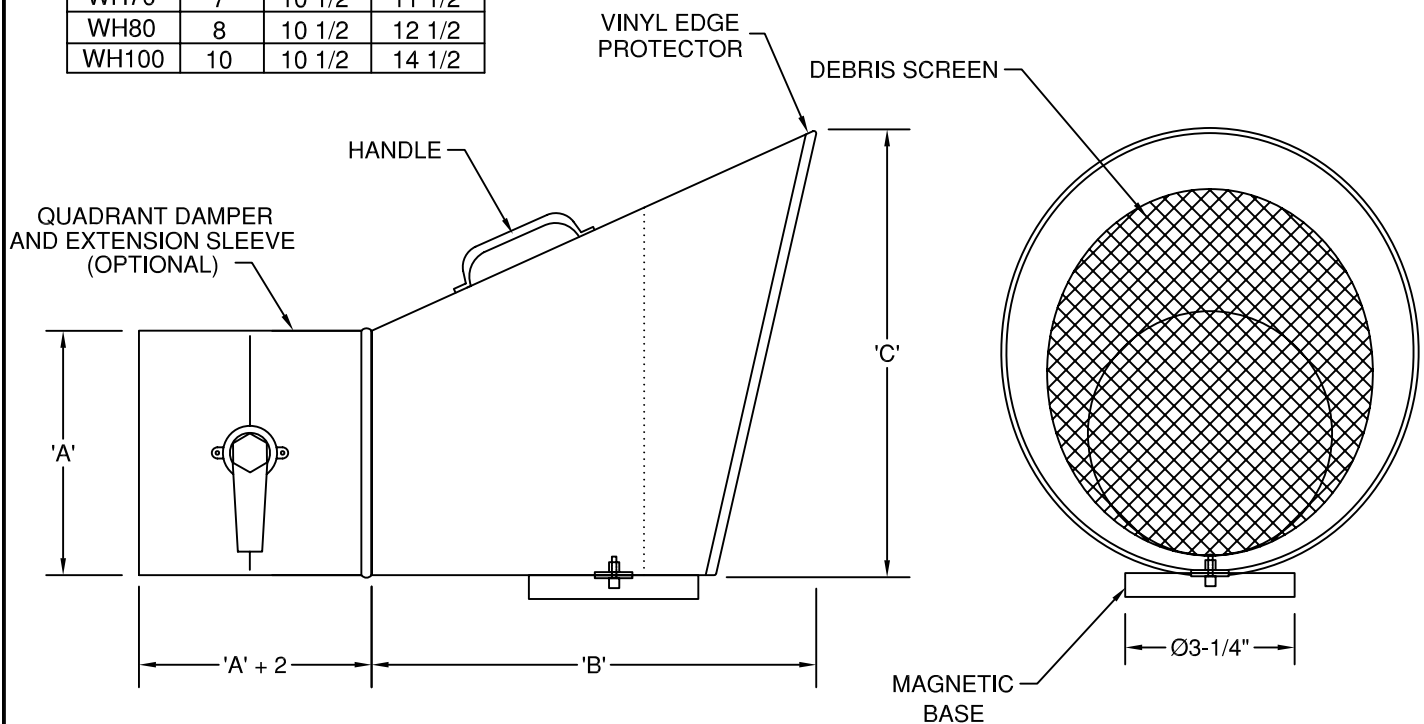
SALES ENGINEER:

ARCHITECT:

CONTRACTOR:

DATE:

MODEL	'A'	'B'	'C'
WH30	3	7 1/2	7 1/2
WH40	4	8 1/2	8 1/2
WH50	5	9 1/2	9 1/2
WH60	6	10 1/2	10 1/2
WH70	7	10 1/2	11 1/2
WH80	8	10 1/2	12 1/2
WH100	10	10 1/2	14 1/2



### SCHEDULE

ITEM	QTY	MODEL	REFERENCE

### NOTES

ALL DIMENSIONS IN INCHES  
 24 GAUGE GALVANIZED CONSTRUCTION - WH30-50  
 22 GAUGE GALVANIZED CONSTRUCTION - WH60-100  
 OPTIONS - STAINLESS STEEL, ADD 'S' TO END (EX: WH60S)